

# Ratio 19

## Pendant Lamp

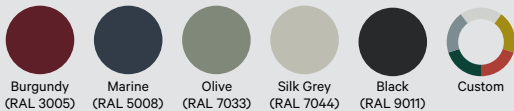


- made using metal spun technique
- duotone design
- select one of 5 standard colours or choose your own
- including GX53 LED module

### Colours

#### Outer surface

Wet-coated, 30% gloss degree



#### Inner surface

White

#### Cord

Transparent

### Specifications

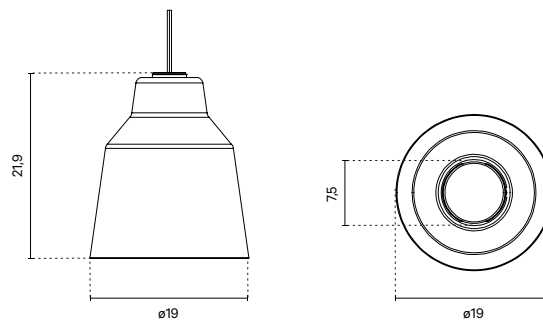
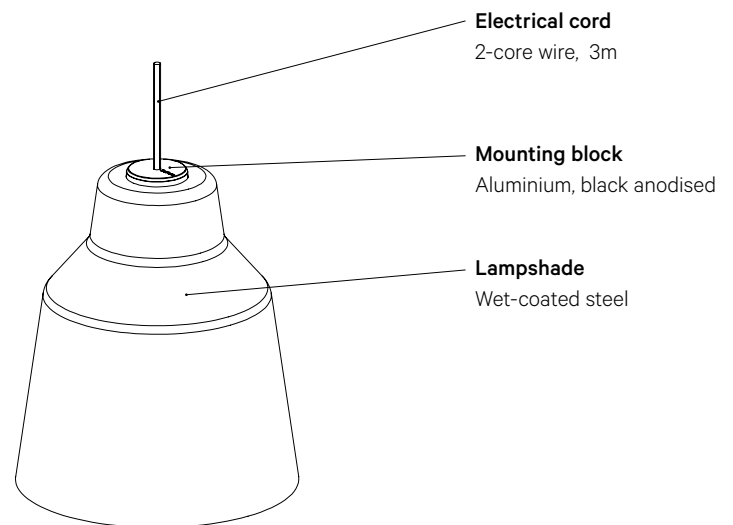
LED module*	LED GX53
Voltage	100-240V
Power	3W
Colour temperature	3000K / 4000K / 6500K
CRI	>80
Luminous flux	410 Lm
Dimmable	No

\* Included LED module can be replaced with any GX53 type

Recognisable by its compact and sleek lampshade, the Ratio 19 Pendant Lamp offers a new take on classic metal lamps. The lamp features a spun steel shade with a seamlessly embedded LED module. A timeless and functional addition to any interior, from offices to hospitality settings.

Designed by **De Vorm**

### Product overview



# Ratio 29

## Pendant Lamp

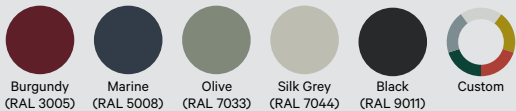


- made using metal spun technique
- duotone design
- select one of 5 standard colours or choose your own
- including GX53 LED module

### Colours

#### Outer surface

Wet-coated, 30% gloss degree



#### Inner surface

White

#### Cord

Transparent

### Specifications

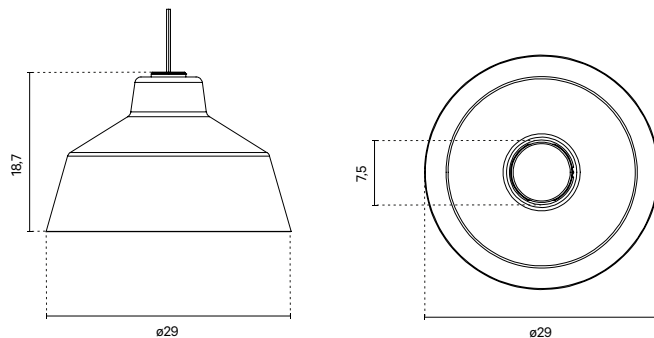
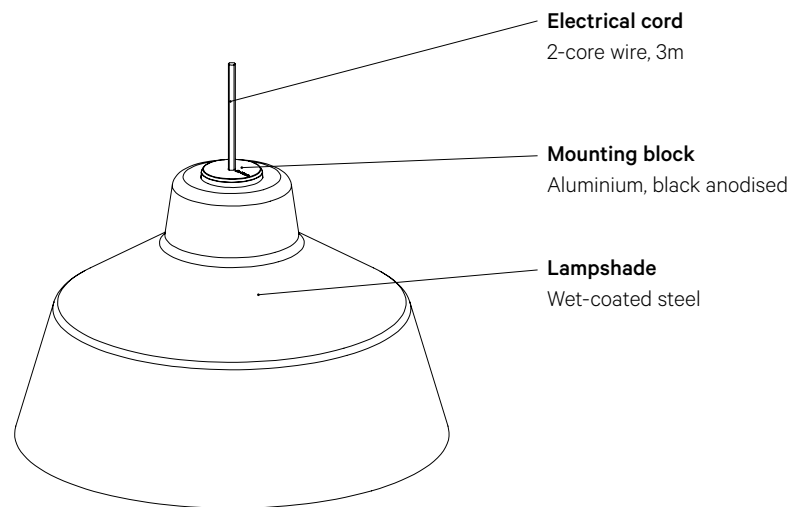
LED module*	LED GX53
Voltage	100-240V
Power	3W
Colour temperature	3000K / 4000K / 6500K
CRI	>80
Luminous flux	410 Lm
Dimmable	No

\* Included LED module can be replaced with any GX53 type

Ratio 29 Pendant Lamp offers a balanced and compact form, characteristic of classic metal lamps. The lamp features a spun steel shade with a seamlessly embedded LED module. A timeless and functional addition to any interior, from offices to hospitality settings.

Designed by **De Vorm**

### Product overview



# Ratio 39

## Pendant Lamp



- made using metal spun technique
- duotone design
- select one of 5 standard colours or choose your own
- including GX53 LED module

### Colours

#### Outer surface

Wet-coated, 30% gloss degree



#### Inner surface

White

#### Cord

Transparent

### Specifications

LED module*	LED GX53
Voltage	100-240V
Power	3W
Colour temperature	3000K / 4000K / 6500K
CRI	>80
Luminous flux	410 Lm
Dimmable	No

\* Included LED module can be replaced with any GX53 type



DeVorm

The Ratio 39 Pendant Lamp features a wide lampshade, referring to the bold and elegant shape of classic metal pendants. The lamp features a spun steel shade with a seamlessly embedded LED module. A timeless and functional addition to any interior, from offices to hospitality settings.

Designed by **De Vorm**

### Product overview

