

HUMANSCALE KANTOORACCESSOIRES PRIJSLIJST

EURO. Pricing Effective May 1st, 2024



Humanscale

Building Your Product Code Using This Price Guide



W 1 6 W M 14 O 007 S H N S C

COMPONENT	CODE	BASE MODEL PRICE	€835
LINE	(W)	Diffrient World Chair	-
STYLE	(1)	Conference/Task Chair	-
ARMRESTS	0	Armless	-
	1	Adjustable Duron Arms	€197
	2	Adjustable Duron Arms with Matching Textile - Available with textile covered seat only	€218
	(6)	Fixed Duron Arms	(€91)
	7	Fixed Duron Arms with Matching Textile - Available with textile covered seat only	€111
	3	4D Adjustable Duron Arms	€235
	4	4D Adjustable Duron Arms with Matching Textile - Available with textile covered seat only	€263
FRAME COLOUR	B	Black	-
	(W)	White	(€24)
	V	Grey	-
BACKREST MESH STYLE	(M)	See page 52 and textile samples for mesh colour options and codes	○
BACKREST MESH COLOUR	(14)	See page 52 and textile samples for mesh colour options and codes	○
SEAT MESH/ TEXTILE STYLE		Mesh	-
	(O)	Textile Grade 1 (O)	(€68)
		Textile Grade 2 (RM)	€91
SEAT MESH/ TEXTILE COLOUR	(007)	See page 46-52 and textile samples for mesh colour options and codes	○
CYLINDER	(S)	Standard 125mm (5")	-
	L	Low 95mm (3.75")	€30
	W	High 203mm w/508mm (8" w/20") foot ring - requires soft casters and glides	€143
CASTERS/GLIDES	(H)	Standard Hard Casters	-
	S	Soft Braking Casters	-
	G	Glides	€24
FIREPROOFING	(N)	Standard Foams and Plastics	-
BASE	(S)	Standard Base to Match Frame Colour	-
SHIPPING	(C)	Individually Boxed	-
	B	Recyclable Bag - See Terms & Conditions for minimum order requirements	-

Monofilament Stripe Mesh in Platinum chosen from page 52

Oxygen Textile in Mediate chosen from page 47

Total: **€1,018**



FREEDOM

With Freedom, the knobs, levers and locks of current-generation task chairs have been replaced by intelligent mechanisms that automatically support the body as it moves from task to task. By minimising the need for manual controls, Freedom maximises natural, spontaneous movement, which is essential for a healthy body and a comfortable day's work.

Freedom's many features can be enjoyed with virtually no effort.

FREEDOM Features & Characteristics



DYNAMIC HEADREST

- Position-sensitive headrest moves into place when you recline and out of the way when you sit upright
- 125mm (5") vertical adjustment to fit all users
- Moves in the natural arc of head/neck for perfect support through range of recline
- Contoured to cradle the head and neck in comfort

SELF-ADJUSTING RECLINE

- Intelligent counter-balance recline mechanism automatically provides the right amount of support through the full range of recline motion, regardless of user size and weight
- No tension springs to adjust
- No recline locks to set / release
- During recline, the angle between torso and legs opens up for better body function
- User maintains near-constant eye level during recline

PIVOTING BACKREST

- Extra motion of the backrest during recline automatically adjusts to the changing needs of the spine
- Provides up to 25mm (1") additional lumbar support when needed

SYNCHRONOUS ARMRESTS

- Revolutionary armrests move in tandem to eliminate uneven arm positioning
- Natural lift and release action for immediate repositioning without buttons or locks
- 150mm (6") range of vertical motion to accommodate all users and tasks
- Can be positioned below thigh level for close to table or desk work
- Attached to backrest so arms stay in same relation to body during recline
- Duron arm pad for durability and comfort

CUSHIONS

- Carefully sculpted to match body contours
- Increased contact area reduces pressure points
- Modular for easy replacement
- Molded polyurethane foam cushions
- Optional arm pads, seat, back and headrest have top layer of Technogel®
- Upholstered with a variety of materials customised to the unique form of the cushion

GEL SEAT CUSHION

- Non-degradable, non-compressible Technogel® layer on top of foam core
- Provides maximum pressure distribution
- Offers unmatched, long-term comfort

CYLINDER OPTIONS

- Provides seat height range that accommodates 95% of the population
- Low cylinder for small users
- High cylinder for very tall users
- Extra-high cylinder with foot ring (Saddle seat only)

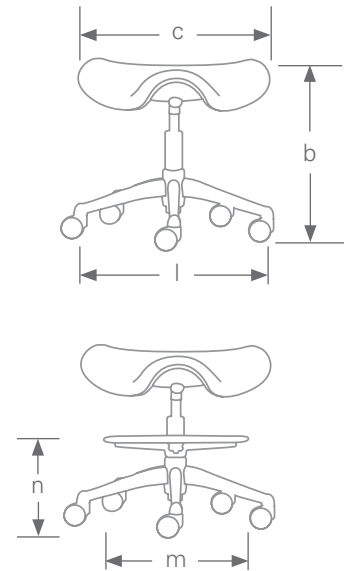
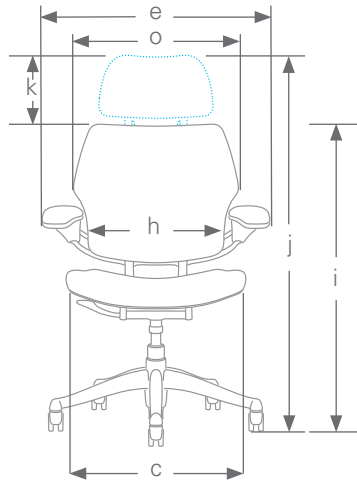
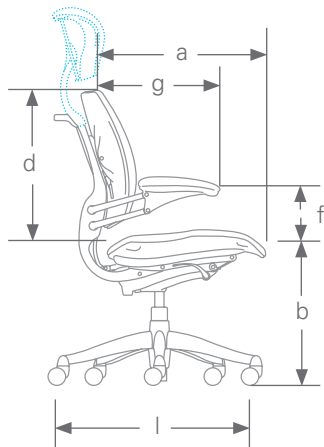
External Frame and OPTIONAL Base UPGRADE

- Die-cast aluminium with fused plastic coating or polished aluminium finish

CASTER OPTIONS

- 65mm (2.5") soft double-wheel casters for hard floors
- Non-rolling glides for fixed-location use
- 65mm (2.5") locking casters

FREEDOM Specifications



CODE	DESCRIPTION	MEASUREMENT
a	Seat Depth (from face of lumbar to front of seat)	415 - 470 mm (16.25" - 18.5")
b	Seat Height (floor to compressed front centre of seat cushion)	410 - 515 mm (16.125" - 20.25") standard chair 370 - 445 mm (14.5" - 17.5") low-cylinder chair 430 - 565 mm (17" - 22.35") tall-cylinder chair 515 - 705 mm (20.25" - 27.75") high-cylinder chair 440 - 560 mm (17.3" - 22.1") standard Saddle / Pony 425 - 515 mm (16.7" - 20.2") low Saddle / Pony 460 - 590 mm (18.2" - 23.2") tall Saddle / Pony 505 - 700 mm (19.9" - 27.5") high Saddle / Pony 570 - 825 mm (22.4" - 32.5") extra-high Saddle / Pony 520 - 633 mm (20.5" - 24.91") standard cylinder stool Active Pony 556 - 688 mm (21.91" - 27.11") tall cylinder stool Active Pony 633 - 835 mm (24.94" - 32.90") high cylinder stool Active Pony
c	Seat Width	535mm (21") chair 560mm (22") Saddle seat 405mm (16") Pony Saddle and Active Pony seat
d	Backrest Height (from seat cushion to top of backrest) - adjustment range	455 - 535 mm (18" - 21") 150mm in 8mm (6" in 0.33") increments
e	Chair Width	690mm (27.25")
f	Armrest Height (compressed seat cushion to top of armrest) - adjustment range	125 - 280 mm (5" - 11") 150mm in 8mm (6" in 0.33") increments
g	Armrest Length (from face of lumbar to front of armrest)	330mm (13")
h	Distance between armrests (front inside edge)	510mm (20") standard 465 - 545 mm (18.25" - 21.25") Advanced
i	Height, Task Chair	850 - 1055 mm (33.5" - 41.5") standard chair 830 - 1005 mm (32.75" - 39.5") low-cylinder chair 875 - 1085 mm (34.5" - 42.75") tall-cylinder chair 965 - 1245 mm (38" - 49") high-cylinder chair
j	Height, Task Chair with Headrest	1090 - 1345 mm (43" - 53") standard chair 1075 - 1295 mm (42.25" - 51") low-cylinder chair 1120 - 1380 mm (44" - 54.25") tall-cylinder chair 1205 - 1535 mm (47.5" - 60.5") high-cylinder chair
k	Headrest Height Adjustment Range	125mm (5")
l	Base Diameter	635mm (25") chair, high or extra-high Saddle / Pony 560mm (22") standard Saddle / Pony 681mm (26.8") standard Active Pony
m	Foot Ring Diameter	455mm or 535mm (18" or 21")
n	Foot Ring Height Adjustment (from floor)	150 - 280 mm (6" - 11")
o	Backrest Width	535mm (21")

SCOPE OF USERS
<ul style="list-style-type: none"> Standard chair fits more than 95% of the office population <ul style="list-style-type: none"> - 152cm (5'0") Woman to 193cm (6'4") Man - 45.4kg (100 lbs.) to 136kg (300 lbs.) Users outside the standard range can be accommodated by <ul style="list-style-type: none"> - Low or High Cylinder - Advanced Armrests
WEIGHT
<ul style="list-style-type: none"> 19.5kg (42.9 lbs.) Standard Chair 22.3kg (49.1 lbs.) Chair with Headrest 6.4kg (14 lbs.) Saddle 9.1kg (20 lbs.) Saddle with Foot Ring 6.4kg (14 lbs.) Pony Saddle 8.2kg (18 lbs.) Pony Saddle with Foot Ring 6.4kg (14 lbs.) Active Pony
BACKREST RECLINE
<ul style="list-style-type: none"> 22° recline plus 7° backrest tilt
REFERENCE ANGLE BETWEEN SEAT AND BACK
<ul style="list-style-type: none"> 100° to 129°
HEADREST RADIAL MOTION
<ul style="list-style-type: none"> 30°
LUMBAR SUPPORT INCREASE IN RECLINE
<ul style="list-style-type: none"> 25mm (1")

FREEDOM Build Your Product Code

COMPONENT	CODE	BASE MODEL PRICE	Freedom Task	Freedom Headrest	Freedom Saddle	Freedom Pony	Freedom Active Pony
			F11	F21	F30	F40	F50
			€1,253	€1,525	€426	€355	€458
ARMREST	0	Armless (Required option for Saddle/Pony)	—	—	—	—	—
	1	Standard Duron Arms	€96	€96	N/A	N/A	N/A
	2	Standard Duron Arms with Matching Textile	€122	€122	N/A	N/A	N/A
	3	Advanced Duron Arms	€206	€206	N/A	N/A	N/A
	4	Advanced Duron Arms with Matching Textile	€228	€228	N/A	N/A	N/A
FRAME	G	Graphite	—	—	—	—	—
	A	Polished Aluminium with Graphite <small>..... Comes standard with polished aluminium base</small>	€264	€295	€125	€125	N/A
TEXTILE		Textile Grade 1 (O)	—	—	—	—	—
		Textile Grade 2 (RM, RF)	€80	€112	€47	€47	€47
		Textile Grade 3 (HL, SQ, ST)	€240	€272	€207	€207	€207
		Textile Grade 4 (AR, CD, EL, VN)	€489	€522	€457	€457	€457
		Leather Grade 0 (Q)	€308	€389	€167	€167	N/A
		Leather Grade 1 (X)	€1,192	€1,276	€527	€527	N/A
		Chrome-Free Leather Grade 1 (TL)	€703	€853	€420	€420	€420
	Chrome-Free Leather Grade 3 (CL)	€1,421	€1,612	€748	€748	€748	
TEXTILE COLOUR		See pages 46-52 for colour options					
LEATHER STITCHING*		If leather is selected, see page 51-52 for stitch options	—	—	N/A	N/A	N/A
	X	No leather selected	—	—	N/A	N/A	N/A
GEL SEAT	F	Standard Foam Seat Pan	—	—	—	—	—
	G	Gel Seat - <i>Not compatible with leather</i>	€86	€86	N/A	N/A	N/A
CYLINDER†	S	Standard 5"	—	—	—	—	—
	L	Low 95mm (3.75")	N/A	N/A	€31	€31	N/A
	T	Tall 135mm (5.25")	€44	€44	\$44	\$44	\$44
	H	High 205mm (8")	N/A	N/A	€38	€38	€38
	W	High 203mm w/508mm (8" w/20") foot ring	€151	€151	\$151	\$151	N/A
	Y	Extra-High 254mm w/508mm (10" w/20") foot ring <i>Only available on Saddle Seat with Glides</i>	N/A	N/A	€151	€151	N/A
CASTER TYPE	H	Standard Hard Casters	—	—	—	—	N/A
	G	Glides	€26	€26	€26	€26	N/A
	S	Soft Casters	€26	€26	€26	€26	N/A
	K	Automatic Locking Casters	€134	€134	€134	€134	€134
FIRE PROOFING	N	Standard Foams and Plastics	—	—	—	—	—
BASE UPGRADE <small>Standard Aluminium Base should be selected with A frame colours.</small>	S	Standard Nylon Base	—	—	—	—	—
	M	Powder-coated Aluminium Base to match Graphite Frame	€66	€66	N/A	N/A	N/A
	A	Polished Aluminium Base on Graphite Frame	€160	€160	N/A	N/A	N/A
SHIPPING	C	Individually Boxed	—	—	—	—	—
	B	Recyclable Bag - <i>See Terms & Conditions for minimum order requirements</i>	—	—	—	—	—

NOTES:

*No box stitching on leather options for the Saddle or Pony Saddle.

† For the Pony Saddle, glides are only available when paired with cylinders H & W.

FREEDOM Options & Prices

REPLACEMENT PARTS	Code	Price	Textile 1	Textile 2	Textile 3	Textile 4	Leather 0 & 1	Leather 3
-------------------	------	-------	-----------	-----------	-----------	-----------	---------------	-----------

Seat Cushions								
Seat (Foam)	S12224F	N/A	€191	€236	€288	€369	€831	€1,135
Seat (Gel)	S1222G	N/A	€297	€341	€393	€474	N/A	N/A
Back	B12224F	N/A	€184	€226	€278	€359	€831	€1,135
Saddle Seat	L1222	N/A	€206	€249	€301	€382	€887	€1,195
Pony Saddle	LP1222	N/A	€184	€226	€278	€359	€861	€1,178
Headrest	H1222F	N/A	€184	€226	€278	€359	€861	€1,178

Armrest Cushions								
Standard Duron Arm Pads	FA	€86	N/A	N/A	N/A	N/A	N/A	N/A
Advanced Duron Arm Pads	FV	€105	N/A	N/A	N/A	N/A	N/A	N/A
Standard Duron Gel Arm Pads	FX	€137	N/A	N/A	N/A	N/A	N/A	N/A
Advanced Duron Gel Arm Pads	FD	€144	N/A	N/A	N/A	N/A	N/A	N/A
Standard Duron Arm Pads with Matching Textile (Pair)	FAM1222	N/A	€184	€213	€226	€242	€263	€307
Advanced Duron Arm Pads with Matching Textile (Pair)	FVM1222	N/A	€184	€213	€226	€242	€263	€307

RETROFIT PARTS	Code	Price	Textile 1	Textile 2	Textile 3	Textile 4	Leather 0 & 1	Leather 3
Advanced Duron Arms	KDA3	€196	N/A	N/A	N/A	N/A	N/A	N/A
Advanced Duron Gel Arms	KA3	€226	N/A	N/A	N/A	N/A	N/A	N/A
Advanced Gel Arms with Matching Textile	KAM31222	N/A	€347	€369	N/A	N/A	€418	€462
Advanced Duron Arms with Matching Textile	KDAM31222	N/A	€306	€328	N/A	N/A	€377	€421
Freedom Task Chair Coat Hanger Kit	FREEDOM_ TASK_ COAT_ HANGER	€100	N/A	N/A	N/A	N/A	N/A	N/A
Freedom Headrest Chair Coat Hanger Kit	FREEDOM_ HEADREST_ COAT_ HANGER	€100	N/A	N/A	N/A	N/A	N/A	N/A

Any code containing a number refers to the component or textile that must be selected to order the replacement or retrofit part.

1- Textile Code 2- Cushion Colour 3- Frame/Cushion Shell Colour (G=Graphite)



DIFFRIENT SMART

Ideal for any designed environment, Diffrient Smart features aesthetics that are as minimal visually as the chair is functional. And, with its signature weight-sensitive recline, body-fitting Form-Sensing Mesh Technology and unique tri-panel backrest, Diffrient Smart adapts to every user, every time.

DIFFRIENT SMART Features & Characteristics



BODY FIT

Size adjustable to fit more than 95% of the population

CUSHION PAN, BACK FRAME, FIVE-ARM BASE

Injection-molded, structural, integral colour plastics

EXTERNAL FRAME

Die-cast aluminium with powder coating

SELF-ADJUSTING RECLINE

- Intelligent counter-balance recline mechanism automatically provides the right amount of support through the full range of recline motion, regardless of user size and weight
- No tension springs to adjust
- No recline locks to set/release
- During recline, the angle between torso and legs opens up for better body function
- User maintains near-constant eye level during recline

FORM-SENSING MESH

- Tri-panel, non-stretch mesh construction creates body-fitting contours and self-adjusting lumbar support for a customised fit
- No external lumbar devices to adjust, break or lose
- Low-abrasion mesh protects clothing
- Modular for easy replacement

ARMREST OPTIONS

- Armless
- Fixed armrests
- Height-adjustable armrests with 127mm (5") range of adjustment
- 4D height-adjustable armrests with adjustable armpads

CONTOURED CUSHIONS

- Carefully sculpted to match body contours
- Increased contact area reduces pressure points
- Modular for easy replacement
- 51mm (2") thick cushions on Diffrient Smart with a 489mm (19.25") seat width
- Glueless cushions mean less usage of materials for a more environmentally friendly solution

CYLINDER

- Standard cylinder provides seat height range that accommodates 95% of the population
- Optional low cylinder for small users
- Optional high cylinder for very tall users

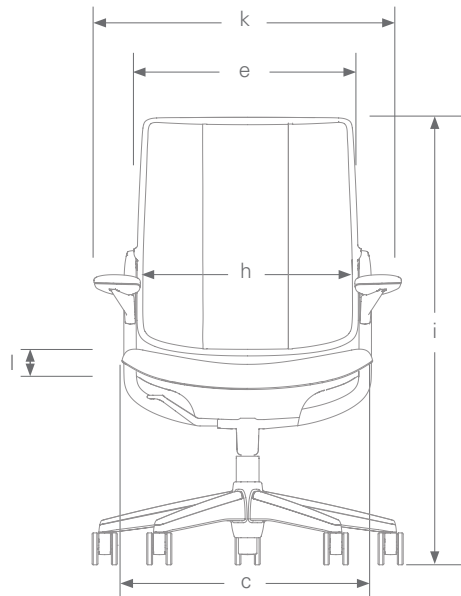
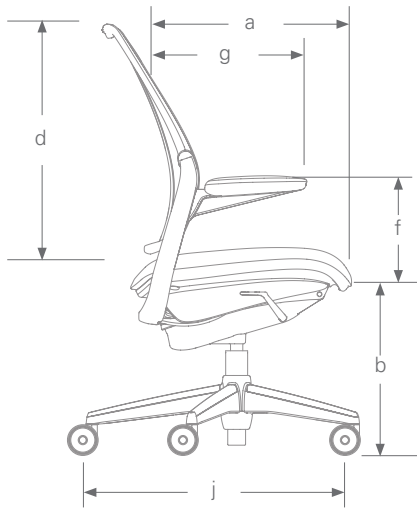
BASE

- Aluminium base

CASTER OPTIONS

- Standard 75mm (3") casters for carpeted floors
- Optional soft casters for hard floors

DIFFRIENT SMART Specifications



SCOPE OF USERS
<ul style="list-style-type: none"> Conference/Task chair fits 95% of the office population <ul style="list-style-type: none"> 5'0" (152cm) Woman to 6'4" (193cm) Man 45.4kg to 136kg (100 lbs. - 300 lbs.) Users outside the standard height range can be accommodated by Low or Tall Cylinder
WEIGHT
<ul style="list-style-type: none"> 15.4kg (34 lbs.) with arms 14kg (31 lbs.) without arms
BACKREST RECLINE
<ul style="list-style-type: none"> 18° recline
REFERENCE ANGLE BETWEEN SEAT AND BACK
<ul style="list-style-type: none"> 93° to 124°
LUMBAR SUPPORT INCREASE IN RECLINE
<ul style="list-style-type: none"> 25mm (1")

CODE	DESCRIPTION	Diffrient Smart
a	seat depth (from face of lumbar to front of seat)	400 - 451 mm (15.75" - 17.75")
b	seat height (from floor to compressed front center of seat cushion)	413 - 521 mm (16.25" - 20.5") standard cylinder chair 378 - 454 mm (14.875" - 17.875") low-cylinder chair 448 - 575 mm (17.625" - 22.625") tall-cylinder chair 527 - 718 mm (20.75" - 28.25") high-cylinder chair 411 - 480 mm (16.2" - 18.9") return to height chair
c	seat width	489mm (19.25")
d	backrest height (from seat cushion to top of backrest)	572mm (22.50")
e	backrest width	483mm (19")
f	armrest height (from compressed seat cushion to top of armrest)	222mm (8.75") fixed, adjustable and 4D 127 - 244 mm (5" - 9.6") adjustable and 4D Arms
g	armrest length (from face of lumbar to front of armrest)	222mm (8.75")
h	distance between armrests	470mm (18.50") fixed and adjustable 457 - 508 mm (18" - 20") 4D arms
i	height	984 - 1092 mm (38.75" - 43") standard cylinder chair 953 - 1029 mm (37.5" - 40.5") low-cylinder chair 1022 - 1149 mm (40.25" - 45.25") tall-cylinder chair 1111 - 1302 mm (43.75" - 51.25") high-cylinder chair 973 - 1041 mm (38.3" - 41") return to height chair
j	base diameter	660mm (26")
k	chair width	673mm (26.5")
l	cushion thickness	51mm (2")

DIFFRIENT SMART Build Your Product Code

COMPONENT	CODE	BASE MODEL PRICE	Diffrient Smart	Diffrient Smart Ocean
			€1,207	€1,269
LINE	S	Smart	-	-
STYLE	3	Diffrient Smart Task Chair	-	N/A
	9	Diffrient Smart Ocean Task Chair	N/A	-
MECHANISM	1	Task Chair	-	-
ARMRESTS	0	Armless	-	-
	1	Fixed Duron Arms	€137	€137
	2	Fixed Duron Arms with Matching Textile	€165	€165
	3	Adjustable Duron Arms	€231	€231
	4	Adjustable Duron Arms with Matching Textile	€258	€258
	5	4D Adjustable Duron Arms	€269	€269
	6	4D Adjustable Duron Arms with Matching Textile	€297	€297
FRAME COLOUR	K	Black Frame and Black with Polished Aluminium Base Profile	-	-
	D	Dark Grey Frame, Aluminium Back with Polished Aluminium Base Profile	€109	N/A
	C	Black Frame, Aluminium Back with Polished Aluminium Base Profile	€109	€109
BACKREST MESH STYLE		See page 52 and textile samples for mesh colour options and codes		
BACKREST MESH COLOUR		See page 52 and textile samples for mesh colour options and codes		
SEAT TEXTILE		Textile Grade 1 (O)	-	-
		Textile Grade 2 (RM, RF)	€67	€67
		Textile Grade 3 (HL, SQ, ST)	€218	€218
		Textile Grade 4 (AR, CD, EL, VN)	€455	€455
		Leather Grade 0 (Q)	€473	€473
		Leather Grade 1 (X)	€521	€521
		Chrome-Free Leather Grade 1 (TL)	€644	€644
		Chrome-Free Leather Grade 3 (CL)	€862	€862
SEAT TEXTILE COLOUR		See pages 46-52 for colour options		
LEATHER STITCHING		If leather is selected, see page 51-52 for stitch options		
	X	No leather selected	-	-
SEAT PAN	F	Standard Seat Pan	-	-
CYLINDER	S	Standard 125mm (5")	-	-
	A	75mm (3") Return to Height Cylinder	€46	€46
	L	Low 95mm (3.75")	€30	€30
	T	Tall 135mm (5.25")	€40	€40
	W	High 203mm w/508mm (8" w/20") foot ring	€143	€143
CASTERS/GLIDES	H	Standard Casters for Carpeted Floors	-	-
	S	Soft Casters	-	-
FIRE PROOFING	N	Standard Foams and Plastics	-	-
SHIPPING	C	Individually Boxed	-	-
	B	Recyclable Bag - <i>See Terms & Conditions for minimum order requirements</i>	-	-

DIFFRIENT SMART Options & Prices

REPLACEMENT PARTS	Code	Price	Textile 1	Textile 2	Textile 3	Textile 4	Leather 0 & 1	Leather 3
Foam Seat Cushion (Diffrient Smart)	SSF12226	N/A	€140	€166	€ 216	€ 293	€332	€575
Mesh Backrest (Diffrient Smart)	SB3422	€162	N/A	N/A	N/A	N/A	N/A	N/A
Mesh Backrest (Diffrient Smart Ocean)	SOBB422	€170	N/A	N/A	N/A	N/A	N/A	N/A
Duron Arm Pads (Pair) (Diffrient Smart)	SDA5	€63	N/A	N/A	N/A	N/A	N/A	N/A
Duron Arm Pads w/Matching Textile (Pair) (Diffrient Smart)	SDAM1222	N/A	€72	€92	€ 94	€ 96	€99	€119

RETROFIT KITS	Code	Price	Textile 1	Textile 2	Textile 3	Textile 4	Leather 0 & 1	Leather 3
Fixed Duron Arms	SKF35	€208	N/A	N/A	N/A	N/A	N/A	N/A
Fixed Duron Arms w/Matching Textile	SKFM31222	N/A	€218	€239	N/A	N/A	€243	€265
Height Adustable Duron Arms	SKH35	€369	N/A	N/A	N/A	N/A	N/A	N/A
Height Adustable Duron Arms w/Matching Textile	SKHM31222	N/A	€378	€399	N/A	N/A	€404	€425
4D Adjustable Duron Arms	SKD35	€395	N/A	N/A	N/A	N/A	N/A	N/A
4D Adjustable Duron Arms w/Matching Textile	SKDM31222	N/A	€404	€425	N/A	N/A	€431	€449

Any code containing a number refers to the component or textile that must be selected to order the replacement or retrofit part.

1 – Textile Code (pages 46-52) **2** – Cushion Colour (pages 46-52) **3** – Frame Colour (K, D, C)

4 – Mesh (M, C, N, J) **5** – Arm Pad Colour (B, G) **6** – Leather Stitch Colour (page 51-52)



LIBERTY

Liberty, with Form-Sensing Mesh Technology, is unlike any mesh chair you've seen or experienced. With its tri-panel construction, Liberty has the body-fitting contours that single-panel stretch mesh chairs simply can't achieve. And it offers perfect lumbar support for everyone, without external devices or manual adjustments. Liberty's mesh back is formed by combining three panels of non-stretch mesh in the same way a tailor combines multiple pieces of material to form a shirt. So its contours are custom-made to both fit and support the human body in unprecedented comfort.

LIBERTY Features & Characteristics



BODY FIT

Size adjustable to fit more than 95% of the population

CUSHION PAN, BACK FRAME, FIVE-ARM BASE

Injection-molded, structural, integral colour plastics.
Optional stainless steel caps on base

EXTERNAL FRAME

Die-cast aluminium with fused plastic coating or polished aluminium finish

SELF-ADJUSTING RECLINE

- Intelligent counter-balance recline mechanism automatically provides the right amount of support through the full range of recline motion, regardless of user size and weight
- No tension springs to adjust
- No recline locks to set/release
- During recline, the angle between torso and legs opens up for better body function
- User maintains near-constant eye level during recline

PIVOTING BACKREST

- Extra motion of the backrest during recline automatically adjusts to the changing needs of the spine
- Provides additional lumbar support as needed

ARMREST OPTIONS

- Armless
- Fixed armrests
- Height-adjustable armrests with 125mm (5") range of adjustment
- Armpad Options: Standard Flexible Duron or Duron with Gel for optimal comfort

FORM-SENSING MESH

- Tri-panel, non-stretch mesh construction creates body-fitting contours and self-adjusting lumbar support for a customised fit
- No external lumbar devices to adjust, break or lose
- Low-abrasion mesh protects clothing
- Modular for easy replacement

CONTOURED CUSHIONS

- Carefully sculpted to match body contours
- Increased contact area reduces pressure points
- Modular for easy replacement
- Glueless cushions mean less usage of materials for a more environmentally friendly solution

CYLINDER

- Standard cylinder provides seat height range that accommodates 95% of the population
- Optional low cylinder for small users
- Optional high cylinder for very tall users
- Optional high cylinder with foot ring

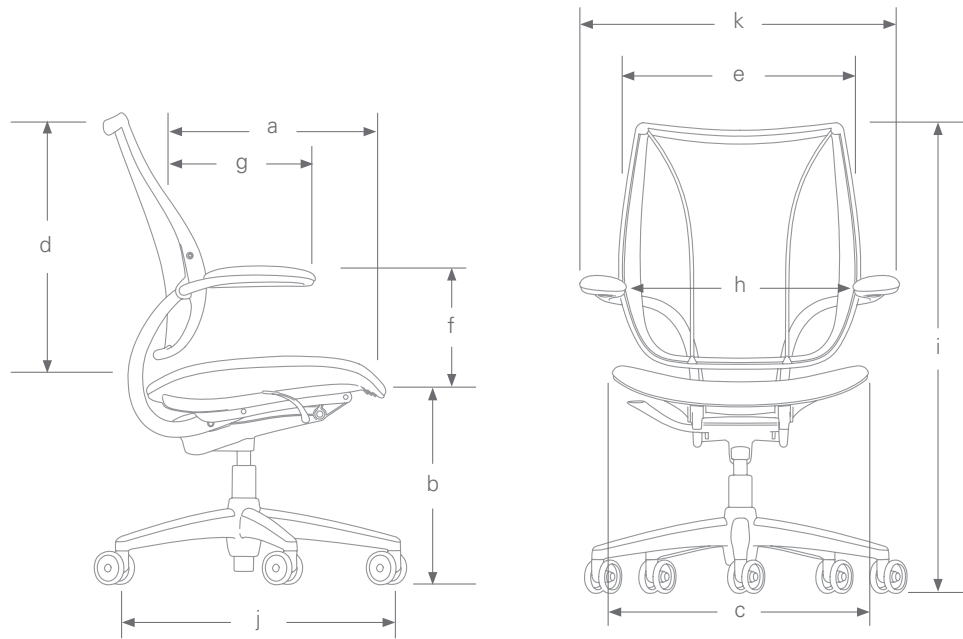
OPTIONAL FOOT RING

- Polished finish
- Height-adjustable

CASTER OPTIONS

- Standard 75mm (3") casters for carpeted floors
- Optional soft casters for hard floors
- Optional non-rolling glides for fixed location use

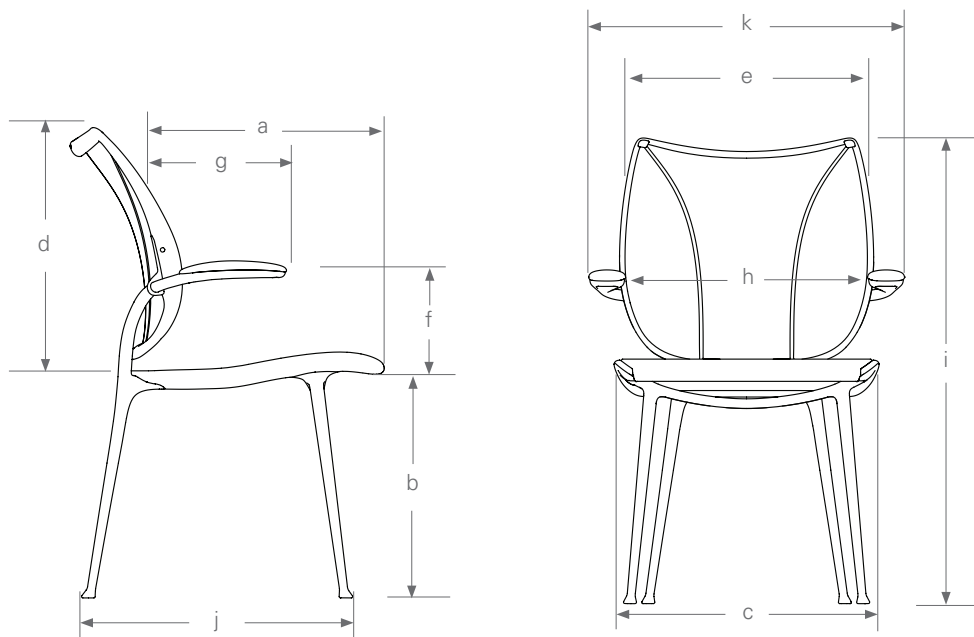
LIBERTY Specifications



CODE	DESCRIPTION	MEASUREMENT
a	seat depth (from face of lumbar to front of seat)	420 - 475 mm (16.5" – 18.75")
b	seat height (from floor to compressed front center of seat cushion)	420 - 530 mm (16.6" – 20.9") standard chair 390 - 465 mm (15.4" – 18.4") low chair 440 - 575 mm (17.25" – 22.6") tall chair 535 - 725 mm (21.1" – 28.6") high chair with foot ring
c	seat width	535mm (21")
d	backrest height (from seat cushion to top of backrest)	570mm (22.5")
e	backrest width	510mm (20")
f	armrest height (from compressed seat cushion to top of armrest)	255mm (10") fixed 165 - 290mm (6.5" – 11.5") adjustable
g	armrest length (from face of lumbar to front of armrest)	310mm (12.25")
h	distance between armrests	458mm – 508mm (18" – 20")
i	height	980 - 1105 mm (38.5" – 43.5") standard chair 960 - 1055 mm (37.75" – 41.5") low-cylinder chair 1010 - 1295 mm (43" – 51") high chair with foot ring
j	base diameter	662mm (26.06")
k	chair width	675mm (26.5")

SCOPE OF USERS
<ul style="list-style-type: none"> Conference/Task chair fits more than 95% of the office population – 152cm (5'0") Woman to 193cm (6'4") Man – 45.4kg (100 lbs.) to 136kg (300 lbs.) Users outside the standard range can be accommodated by Low or High Cylinder
WEIGHT
<ul style="list-style-type: none"> 18.3kg (40.3 lbs.) <i>Task chair</i> 18.2kg (40.1 lbs.) <i>Conference</i>
TILT AND RECLINE
<ul style="list-style-type: none"> 17° recline plus 7° backrest tilt <i>Conference/Task chair</i>
REFERENCE ANGLE BETWEEN SEAT AND BACK
<ul style="list-style-type: none"> 100° to 124° <i>Conference/Task chair</i>

LIBERTY Specifications



CODE	DESCRIPTION	MEASUREMENT
a	seat depth	445mm (17.5")
b	seat height	455mm (18")
c	seat width	525mm (20.75")
d	backrest height	470mm (18.5")
e	backrest width	500mm (19.75")
f	armrest height	240mm (9.5")
g	armrest length	305mm (12")
h	distance between armrests	490mm (19.25")
i	height	900mm (35.5")
j	base diameter	N/A
k	chair width	630mm (24.75")

SCOPE OF USERS
<ul style="list-style-type: none"> Side chair fits more than 95% of the office population <ul style="list-style-type: none"> - 152cm (5'0") Woman to 193cm (6'4") Man - 45.4kg (100 lbs.) to 136kg (300 lbs.)
WEIGHT
<ul style="list-style-type: none"> 9.7kg (21.4 lbs.) <i>Side chair</i>

LIBERTY Build Your Product Code



TASK

OCEAN

SIDE

COMPONENT	CODE	BASE MODEL PRICE	€1,088	€1,142	€586
STYLE	L11	Liberty Task Chair	-	N/A	N/A
	L31	Liberty Ocean Task Chair	N/A	-	N/A
	L40	Liberty Side Chair	N/A	N/A	-
ARMRESTS	0	Armless	-	-	-
	1	Adjustable Duron Arms	€179	€179	N/A
	2	Adjustable Duron Arms with Matching Textile	€204	€204	N/A
	6	Fixed Duron Arms	€91	€91	€88
	7	Fixed Duron Arms with Matching Textile	€116	€116	N/A
FRAME COLOUR	B	Black with Black Trim	-	-	-
	V	Silver with Silver Trim	-	N/A	-
	L	Silver with Black Trim	-	-	-
	A	Polished Aluminium with Black Trim	€152	€152	€124
	P	Polished Aluminium with Silver Trim	€152	N/A	€124
BACKREST MESH STYLE		See page 52 and textile samples for mesh colour options and codes			
BACKREST MESH COLOUR		See page 52 and textile samples for mesh colour options and codes			
SEAT MESH/ TEXTILE STYLE		Mesh (M, C, N, J)	N/A	N/A	-
		Textile Grade 1 (O)	-	-	€44
		Textile Grade 2 (RM, RF) - <i>RF not compatible with Liberty Side Chair</i>	€45	€45	€74
		Textile Grade 3 (HL, SQ, ST)	€196	€196	N/A
		Textile Grade 4 (AR, CD, EL, VN)	€432	€432	N/A
		Leather Grade 0 (Q)	€232	€232	N/A
		Leather Grade 1 (X)	€520	€520	N/A
		Chrome-Free Leather Grade 1 (TL)	€555	€555	N/A
		Chrome-Free Leather Grade 3 (CL)	€826	€826	N/A
SEAT MESH/ TEXTILE COLOUR		See pages 46-52 and textile samples for mesh colour options and codes			
LEATHER STITCHING		If leather is selected, see page 51-52 for stitch options			
	X	No leather selected	-	-	N/A
GEL SEAT	F	Standard Seat Pan	-	-	-
	G	Gel Seat - <i>Not compatible with leather/Lotus textiles</i>	€82	€82	N/A
CYLINDER	S	Standard 125mm (5")	-	-	N/A
	L	Low 95mm (3.75")	€30	€30	N/A
	T	Tall 135mm (5.25")	€40	€40	N/A
	W	High 203mm w/508mm (8" w/20") foot ring	€143	€143	N/A
CASTERS/GLIDES	H	Standard 75mm (3") Casters for carpeted floors	-	-	N/A
	S	Soft Braking Casters	-	-	N/A
	G	Glides	€24	€24	N/A
FIRE PROOFING	N	Standard Foams and Plastics	-	-	-
BASE	S	Standard Base to Match Trim Colour	-	-	N/A
SHIPPING	C	Individually Boxed	-	-	-
	B	Recyclable Bag - <i>See Terms & Conditions for minimum order requirements</i>	-	-	-

LIBERTY Options & Prices

REPLACEMENT PARTS		Code	Price	Textile 1	Textile 2	Textile 3	Textile 4	Leather 0 & 1	Leather 3
Liberty Conference/Task									
Seat (Foam)	LSF12226	N/A	€191	€232	€282	€359	€458	€785	
Seat (Gel)	LSG1222	N/A	€301	€334	€384	€461	N/A	N/A	
Mesh Backrest	LB3422	€137	N/A	N/A	N/A	N/A	N/A	N/A	
Fixed Duron Arm Pads (Pair)	LDA5	€51	N/A	N/A	N/A	N/A	N/A	N/A	
Height-Adjustable Duron Arm Pads (Pair)	LDV5	€86	N/A	N/A	N/A	N/A	N/A	N/A	
Fixed Duron Arm Pads with Matching Textile (Pair)	LDAM1222	N/A	€118	€123	€136	€149	€157	€193	
Height Adjustable Duron Arm Pads with Matching Textile (Pair)	LDVM1222	N/A	€118	€123	€136	€149	€157	€193	

Liberty Side									
Mesh Backrest	LSCB3422	€182	N/A	N/A	N/A	N/A	N/A	N/A	N/A
Mesh Seat Cushion	LSCS3422	€216	N/A	N/A	N/A	N/A	N/A	N/A	N/A
Textile-covered Seat Cushion	LSCSM31222	N/A	€216	€239	N/A	N/A	N/A	N/A	N/A
Duron Arm Pads (Pair)	LSDA5	€34	N/A	N/A	N/A	N/A	N/A	N/A	N/A

RETROFIT PARTS		Code	Price	Textile 1	Textile 2	Textile 3	Textile 4	Leather 0 & 1	Leather 3
Liberty Conference/Task Retrofit Kits									
Fixed Duron Arms (Pair)	LKFD35	€129	N/A	N/A	N/A	N/A	N/A	N/A	N/A
Height-Adjustable Duron Arms (Pair)	LKD35	€177	N/A	N/A	N/A	N/A	N/A	N/A	N/A
Liberty Chair Coat Hanger	H	€51	N/A	N/A	N/A	N/A	N/A	N/A	N/A

Liberty Side Retrofit Kits									
Fixed Duron Arms (Pair)	LSKFD35	€128	N/A	N/A	N/A	N/A	N/A	N/A	N/A

Any code containing a number refers to the component or textile that must be selected to order the replacement or retrofit part.

1 – Textile Code (pages 46-52) **2** – Cushion Colour (pages 46-52) **3** – Frame Colour (B, V, A) **4** – Mesh (M, C, N, J)

5 – Arm Pad Colour (B, V) **6** – Leather Stitch Colour (page 51-52)



PATH

Path builds on Humanscale's 25 years of innovative engineering, developing products that are simple to use, encourage movement and healthy postures, and function and look as new after years of use.

Designed in collaboration with Todd Bracher Studio, our design goal was to create a task chair that is simple, beautiful and challenges our industry standard of complex mechanisms that require manual adjustment.

PATH Features & Characteristics



BODY FIT

- Size adjustable to fit more than 95% of the population

CUSHION PAN, BACK FRAME, FIVE-ARM BASE • Injection-molded, structural, integral colour plastics

EXTERNAL FRAME

- Die-cast aluminium with powder coating

SELF-ADJUSTING RECLINE

- Gravity Mechanism™ provides automatic support by using the sitter weight to counter recline force, resulting in a custom sitting experience for each user regardless of their size and weight
- No tension springs to adjust
- No recline locks to set/release
- During recline, the angle between torso and legs opens up for better body function
- User maintains near-constant eye level during recline

FORMSENSE ECO KNIT™

- FormSense Eco Knit™ instantly conforms to the shape of sitter's back, providing self-adjusting lumbar support that is tailored fit to any user
- No external lumbar devices to adjust, break or lose
- Modular for easy replacement

ARMREST OPTIONS

- Armless
- Fixed armrests
- Height-adjustable armrests

CONTOURED CUSHIONS

- Carefully sculpted to match body contours
- Increased contact area reduces pressure points
- Modular for easy replacement
- Glueless cushions mean less usage of materials for a more environmentally friendly solution

CYLINDER

- Standard cylinder provides seat height range that accommodates 95% of the population
- Optional low cylinder for small users

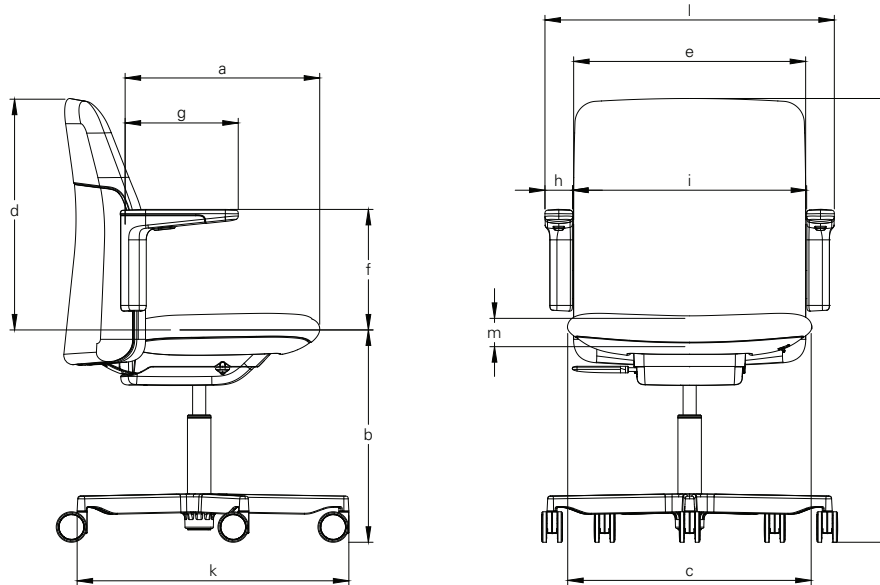
BASE

- Standard base to match frame
- Polished Aluminium Base on Black or Light Grey Frame

CASTER OPTIONS

- Standard casters for carpeted floors

PATH Specifications



CODE	DESCRIPTION	MEASUREMENT
a	"seat depth (from face of lumbar to front of seat)"	414 - 475 mm (16.30" - 18.70")
b	"seat height (std Cylinder) (from floor to compressed front center of seat cushion)"	395 - 530 mm (15.55" - 20.87")
b	"seat height (low cylinder) (from floor to compressed front centre of seat cushion)"	367 - 491 mm (14.45" - 19.33")
c	seat width	520mm (20.47")
d	"backrest height (from seat cushion to top of backrest)"	525mm (20.67")
e	backrest width	485mm (19.09")
f	"armrest height- fixed (from compressed seat cushion to top of armrest)"	234mm (9.21")
f	"armrest height- adj (from compressed seat cushion to top of armrest)"	250mm (9.84")
g	"armrest length (both fixed and Adj) (from face of lumbar to front of armrest)"	235mm (9.25")
h	distance between armrests- fixed	505mm (19.88")
h	distance between armrests- adj	500mm (19.69")
i	height (std cylinder)	880 - 1010 mm (34.65" - 39.76")
i	height (low cylinder)	852 - 971 mm (33.54" - 38.23")
j	base diameter	635mm (25")
k	chair width (with adj arms)	620mm (24.41")
k	chair width (with fixed arms)	605mm (23.82")

SCOPE OF USERS
<ul style="list-style-type: none"> Conference/Task chair fits 95% of the office population <ul style="list-style-type: none"> 152cm (5'0") Woman to 193cm (6'4") Man 100 to 300 lbs. (45.4kg – 136kg) Users outside the standard height range can be accommodated by Low or Tall Cylinder
WEIGHT
<ul style="list-style-type: none"> 18.6 kg (41 lbs.) with Arms 15.6 kg (34.5 lbs.) Armless
TILT AND RECLINE
<ul style="list-style-type: none"> 0 tilt / 16° recline
REFERENCE ANGLE BETWEEN SEAT AND BACK
<ul style="list-style-type: none"> 104°

PATH

COMPONENT	CODE	BASE MODEL PRICE	€1,048
STYLE	PT1	Path Chair	-
ARMREST	0	Armless	-
	1	Fixed Arms	€125
	6	Adjustable Duron Arms	€210
FRAME	B	Black with Black Trim	-
	V	Light Grey with Dark Grey Trim	€66
	A	Polished Aluminium with Black	€137
	P	Polished Aluminium with Light Grey	€197
TEXTILE	KT	FormSense Eco Knit	-
	TL	Leather Grade 1 (Ticino)	€507
	CL	Leather Grade 3 (Corvara)	€674
LEATHER STITCH	X	If leather is selected, see textiles section for stitch options	-
CYLINDER	S	Standard 5"	-
	L	L Low 3.75"	€47
CASTER	H	Standard Hard Casters	-
	S	Soft Casters	-
	O	Soft Braking Caster	€58
FIREPROOFING	N	Standard Foams and Plastics	-
BASE	S	Standard Base to match frame colour	-
	A	Polished Aluminium Base	€173
SHIPPING	C	Individually Boxed	-
	B	Recyclable Bag - <i>See Terms & Conditions for minimum order requirements</i>	-

PATH Options & Prices

REPLACEMENT PARTS	Code	Price
-------------------	------	-------

Chair Parts		
Seat	PS12224	
FormSense Eco Knit		€ 150
Leather Grade 1		€ 338
Leather Grade 3		€ 356
Back	PB12224	
FormSense Eco Knit		€ 170
Leather Grade 1		€ 357
Leather Grade 3		€ 375
Back Shell	PBS3	€217
Back Shell (Armless)	PBSL3	€217

Armrests		
Fixed Arms (Pair)	PTF3	€57
Height-Adjustable Arms (Pair)	PTA3	€78

RETROFIT PARTS	Code	Price
Fixed Arms (Pair)	PTFD3	€160
Height-Adjustable Arms (Pair)	PTAD3	€192

Any code containing a number refers to the component or textile that must be selected to order the replacement or retrofit part.

- 1** – Textile Code
- 2** – Cushion Colour
- 3** – Frame/Cushion Shell Colour (B, V, A, P)
- 4** – Leather Stitch Colour (see textiles section)



DIFFRIENT WORLD

Diffrient World marks Humanscale's first foray into all-mesh task seating. Like its mesh-backed forerunner, Liberty, Diffrient World's tri-panel backrest hugs the body to provide tailor-made lumbar support, while its mesh seat eliminates contact stress under the thighs. But Diffrient World's major innovation is its mechanism-free recline action, which leverages two parts of the chair's frame, the user's body weight, and the laws of physics to provide automatic and balanced support throughout the full range of recline. No chair is more intuitive, creating the ultimate user-friendly sitting experience.



DIFFRIENT WORLD Features & Characteristics



BODY FIT

Size adjustable to fit more than 95% of the population

CUSHION PAN, BACK FRAME, FIVE-ARM BASE

Non-stretch, tri-panel mesh back. Non-stretch mesh seat. Optional upholstered polyurethane foam seat cushion

EXTERNAL FRAME

Injection-molded, structural, integral color glass-filled Nylon 6

SELF-ADJUSTING RECLINE

- Intelligent counter-balance recline mechanism automatically provides the right amount of support through the full range of recline motion, regardless of user size and weight
- No tension springs to adjust
- No recline locks to set/release
- During recline, the angle between torso and legs opens up for better body function
- User maintains near-constant eye level during recline

PIVOTING BACKREST

- Extra motion of the backrest during recline automatically adjusts to the changing needs of the spine
- Provides additional lumbar support as needed

ARMREST OPTIONS

- Armless, Fixed armrests or Height-adjustable armrests with 80mm (3.2") range of adjustment

ARM PAD OPTIONS

- Flexible Duron or Matching textile-covered arm pad

FORM-SENSING MESH

- Tri-panel, non-stretch mesh construction creates body-fitting contours and self-adjusting lumbar support for a customised fit
- No external lumbar devices to adjust, break or lose
- Low-abrasion mesh protects clothing
- Modular for easy replacement

NON-STRETCH MESH SEAT

- Automatically sculpts to match body contours
- Cradles the body in flexible, breathable mesh
- Frameless front edge eliminates contact stress under the thighs

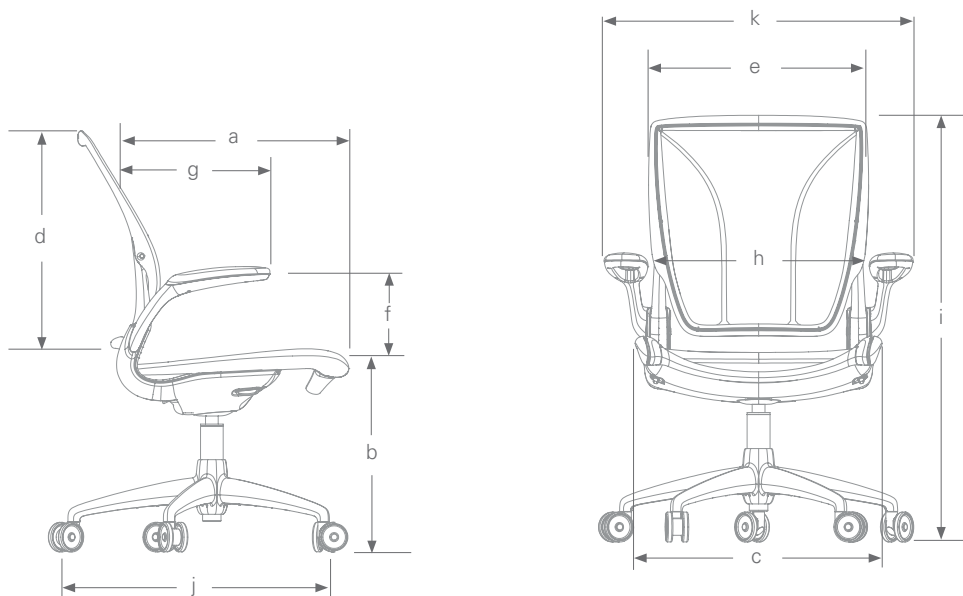
CYLINDER

- Standard cylinder provides seat height range that accommodates 95% of users
- Optional low cylinder for small users
- Optional high cylinder with foot ring

CASTER OPTIONS

- Standard 75mm (3") hard casters
- Optional non-rolling glides for fixed location use
- Optional soft braking casters for hard floors

DIFFRIENT WORLD Specifications



CODE	DESCRIPTION	MEASUREMENT
a	seat depth <i>(from face of lumbar to front of seat)</i>	400mm – 469mm (15.75" – 18.5")
b	seat height <i>(from floor to compressed front center of seat cushion)</i>	371mm – 495mm (14.61" – 19.49") standard chair 365mm – 460mm (14.38" – 18.13") low chair 498mm – 701mm (19.63" – 27.63") high cylinder with foot ring
c	seat width	495mm (19.49")
d	backrest height <i>(from seat cushion to top of backrest)</i>	571mm (22.5")
e	backrest width	437mm (17.27")
f	armrest height <i>(from compressed seat cushion to top of armrest)</i>	239mm (9.41") fixed 190mm – 265mm (7.5" – 10.375") adjustable adjustable
g	armrest length <i>(from face of lumbar to front of armrest)</i>	210mm (8.27")
h	distance between armrests	438mm– 495mm (17.25" – 19.5")
i	height	905mm – 1,029mm (35.63" – 40.51") standard chair 886mm – 981mm (34.88" – 38.63") low-cylinder chair 1,019mm – 1,222mm (40.13" – 48.13") high cylinder chair with foot ring
j	base diameter	660mm (26")
k	chair width	660mm (26")

SCOPE OF USERS
<ul style="list-style-type: none"> Conference/Task chair fits 95% of the office population <ul style="list-style-type: none"> – 152cm (5'0") Woman to 193cm (6'4") Man – 45.4kg (100 lbs.) to 136kg (300 lbs.) Users outside the standard height range can be accommodated by Low or High Cylinder
WEIGHT
<ul style="list-style-type: none"> 14kg (31 lbs.) Conference/Task chair 12.9kg (29 lbs.) Armless chair
TILT AND RECLINE
<ul style="list-style-type: none"> 17° recline plus 8° backrest tilt
REFERENCE ANGLE BETWEEN SEAT AND BACK
<ul style="list-style-type: none"> 97.7° to 114.3°

DIFFRIENT WORLD Build Your Product Code

COMPONENT	CODE	BASE MODEL PRICE	€835
LINE	W	Diffrient World Chair	-
STYLE	1	Task Chair	-
ARMRESTS	0	Armless	-
	1	Adjustable Duron Arms	€197
	2	Adjustable Duron Arms with Matching Textile - <i>Available with textile covered seat only</i>	€218
	6	Fixed Duron Arms	€91
	7	Fixed Duron Arms with Matching Textile - <i>Available with textile covered seat only</i>	€111
	3	4D Adjustable Duron Arms	€235
	4	4D Adjustable Duron Arms with Matching Textiles - <i>Available with textile covered seat only</i>	€263
FRAME COLOUR	B	Black	-
	W	White	€24
	V	Grey	-
BACKREST MESH STYLE		See page 52 and textile samples for mesh colour options and codes	
BACKREST MESH COLOUR		See page 52 and textile sample for mesh colour options and codes	
SEAT MESH/ TEXTILE STYLE		Mesh	-
		Textile Grade 1 (O)	€68
		Textile Grade 2 (RM)	€91
SEAT MESH/ TEXTILE COLOUR		See pages 46-52 and textile sampels for mesh colour options and codes	
CYLINDER	S	Standard 125mm (5")	-
	L	Low 95mm (3.75")	€30
	W	High 203mm w/508mm (8" w/20") foot ring - <i>requires soft casters and glides</i>	€143
CASTERS/GLIDES	H	Standard Hard Casters	-
	S	Soft Braking Casters	-
	G	Glides	€24
FIREPROOFING	N	Standard Foams and Plastics	-
BASE	S	Standard Base to Match Frame Colour	-
SHIPPING	C	Individually Boxed	-
	B	Recyclable Bag - <i>See Terms & Conditions for minimum order requirements</i>	-

DIFFRIENT WORLD Options & Prices

REPLACEMENT PARTS

	Code	Price	Textile 1	Textile 2
Seat Cushions				
Mesh Backrest	DWCB3422	€151	N/A	N/A
Mesh Seat Cushion	DWCS3422	€151	N/A	N/A
Textile-Covered Seat Cushion	DWCSM31222	N/A	€213	€236

Armrest Cushions				
Fixed Duron Arm Pads (Pair)	DWFD35	€51	N/A	N/A
Fixed Duron Arm Pads with Matching Textile Cover (Pair)*	DWFDM1222	N/A	€71	€92
Height-Adjustable Duron Arm Pads (Pair)	DWAD35	€51	N/A	N/A
Height-Adjustable Duron Arm Pads with Matching Textile Cover (Pair)*	DWADM1222	N/A	€71	€92

RETROFIT PARTS

	Code	Price	Textile 1	Textile 2
Fixed Duron Arms (Pair)	DWKFD35	€100	N/A	N/A
Fixed Duron Arms with Matching Textile Cover (Pair)*	DWKFDM31222	N/A	€120	€143
Height-Adjustable Duron Arms (Pair)	DWKAD35	€191	N/A	N/A
Height-Adjustable Duron Arms with Matching Textile Cover (Pair)*	DWKADM31222	N/A	€213	€236
4D Adjustable Duron Arms (Pair)	DWKDD35	€227	N/A	N/A
4D Adjustable Duron Arms with Matching Textile (Pair)*	DWKDDM31222	N/A	€249	€272

Any code containing a number refers to the component or textile that must be selected to order the replacement or retrofit part.

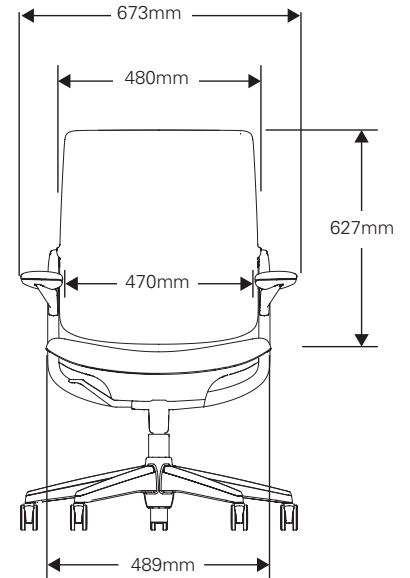
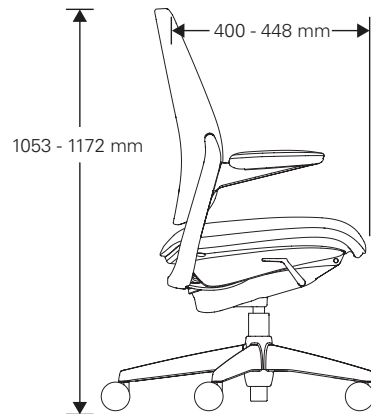
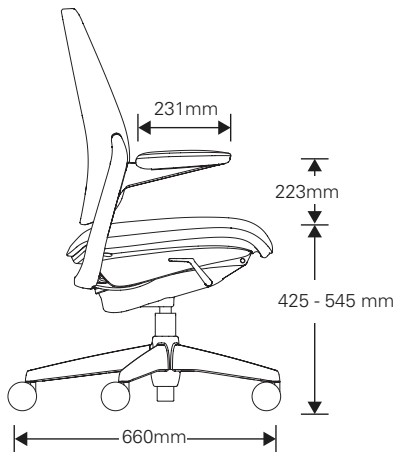
1 – Textile Code (pages 46-52) **2** – Cushion Colour (pages 46-52) **3** – Frame Colour (B, W, V) **4** – Mesh (M,C,N, J) **5** – Arm Pad Colour (S,B)



SMART CONFERENCE

Adapted from iconic industrial designer Niels Diffrient's original Smart chair, Smart Conference takes intuitive comfort to a new level of luxury suitable for any meeting space. Smart Conference shares the same intuitive, ergonomic, and sustainable design as our award-winning Smart chair. It adjusts instantly to the user's body, providing a perfectly tailored sitting experience for all. No matter their shape or size, each sitter enjoys the same comfort, support, and movement in a chair that feels made just for them.

SMART CONFERENCE Specifications



DESCRIPTION	MEASUREMENT
Seat Depth	400 - 448 mm (15.75" - 17.64")
Seat Height	425 - 545 mm (16.73" - 21.45") (standard cylinder) 442 - 511 mm (17.4" - 20.12") (76mm (3") RTH cylinder) 448 - 573 mm (17.64" - 22.56") (127mm (5") RTH cylinder)
Seat Width	470mm (18.5")
Backrest Height	627mm (24.68")
Backrest Width	480mm (18.9")
Height	1053 - 1172 mm (41.42" - 46.14") (standard cylinder) 1070 - 1138 mm (42.09" - 44.8") (76mm (3") RTH cylinder) 1075 - 1200 mm (42.32" - 47.24") (127mm (5") RTH cylinder)
Base Diameter	660mm (26")
Armrest to Armrest	470mm (18.5")
Armrest Length	231mm (9.09")
Armrest Width	83mm (3.26")
Armrest Height	223mm (8.78")
Angle Between Seat and Back	113°

SCOPE OF USERS
<ul style="list-style-type: none"> Multi-purpose chair fits 95% of the office population <ul style="list-style-type: none"> 152cm (5'0") to 193cm (6'4") Person 45.4kg - 181kg (100 to 400 lbs.)
WEIGHT
<ul style="list-style-type: none"> 18.6kg (41 lbs.)
TILT AND RECLINE
<ul style="list-style-type: none"> 8° tilt / 21° recline
PACKAGING (CHAIR IN BOX)
<ul style="list-style-type: none"> Size: 695 x 102 x 838 mm (27.375" x 24.375" x 33") Weight: 8.7kg (19.15 lbs.)
SUSTAINABILITY CERTIFICATIONS
<ul style="list-style-type: none"> Indoor Advantage Gold BIFMA Level III certified

SMART CONFERENCE

COMPONENT	CODE	BASE MODEL PRICE	€1,810
STYLE	S61	Smart Conference	-
ARMREST/ARMPAD	0	Armless	-
	1	Fixed Duron Arms	€209
	2	Fixed Duron Arms with Matching Textile	€233
FRAME	P	Polished Aluminum	-
SEAT/BACK TEXTILE	ML	Maribo Leather	€1,221
TEXTILE COLOR	10N	Carbon w/ Noir Stitching (<i>Matching Stitching</i>)	-
	10W	Carbon w/ White Stitching (<i>Contrast Stitching</i>)	-
	21A	Espresso w/ Cocoa Stitching (<i>Matching Stitching</i>)	-
	21O	Espresso w/ Mocha Stitching (<i>Contrast Stitching</i>)	-
	22C	Teak w/ Coffee Stitching (<i>Matching Stitching</i>)	-
	22L	Teak w/ Saddle Stitching (<i>Contrast Stitching</i>)	-
	12M	Slate w/ Midnight Stitching (<i>Matching Stitching</i>)	-
	12P	Slate w/ Medium Grey Stitching (<i>Contrast Stitching</i>)	-
	11Y	Stone w/ Light Grey Stitching (<i>Matching Stitching</i>)	-
	31V	Bone w/ Vanilla Stitching (<i>Matching Stitching</i>)	-
	31O	Bone w/ Mocha Stitching (<i>Contrast Stitching</i>)	-
	13W	Frost w/ White Stitching (<i>Matching Stitching</i>)	-
	23T	Terra w/ Tan Stitching (<i>Matching Stitching</i>)	-
23D	Terra w/ Sand Stitching (<i>Contrast Stitching</i>)	-	
SEATTYPE	F	Standard Seat Pan	-
CYLINDER HEIGHT	S	Standard 5"	-
	E	5" Return to Height	€51
CASTER	H	Standard Casters	-
	S	Soft Casters	€27
	K	Locking Casters	€128
FIREPROOFING	N	Standard Foams and Plastics	-
SHIPPING	C	Individually Boxed (Knock Down)	-
	B	Blanket Wrapped	-



SUMMA

Designed specifically with executive boardrooms and offices in mind, Summa's enveloping shape and sculpted materials converge for a truly harmonious design that exudes luxury in every detail. Utilising only one discreet height adjustment lever, Summa features a weight-compensating recline mechanism and integrated armrests for exceptional ergonomic comfort and support.



SUMMA Features & Characteristics



Walnut Wood Finish



Ebony Wood Finish



Anegre Wood Finish

Features

- Built-in armrests attached to the back to move with the user, supporting the sitter in every posture
- Simple and discreet height-adjustment lever seamlessly integrated into the seat
- Sitter's own weight automatically sets the recline tension
- Chair back is available in three rich wood finishes or 7 upholstery options with matching box-stitching
- Supports users up to 136kg (300 lbs.) in weight and 193cm (6'4") in height
- Warranty: 10-year on components; 5-year on upholstery and wood

DESCRIPTION	MEASUREMENT	
	in	mm
Seat Depth (from face of lumbar to front of seat)	18	457.2
Seat Height (from floor to compressed front of seat cushion)	15.5 - 20.5	393.7 - 520.7
Seat Width	18.25	463.55
Backrest Height (from seat cushion to top of backrest)	20.75	527.05
Backrest Width	17.25	438.15
Armrest Height (from compressed seat cushion to top of armrest)	8	203.2
Armrest Length (from face of lumbar to front of armrest)	11	279.4
Distance Between Armrests	17.25	438.15
Height	36.25 - 41.25	920.75 - 1,047.75
Base Diameter	25.5	647.7
Chair Width	28	711.2
Chair Depth	25.5	647.7
Upholstered Chair Weight	43 lbs.	19.5 kg
Wood Chair Weight	46 lbs.	20.9 kg

SUMMA Build Your Product Code

For common configurations please refer to page 31 (10 weeks lead-time).
For all other configurations please consult with the Customer Service Team.









COMPONENT	CODE	BASE MODEL PRICE	€3,768
STYLE	U1	Summa	-
BACK SHELL	UL	Upholstered Leather <i>(Available in black powder coated aluminium or polished aluminium frame)</i>	€973
	WA	Anegre Wood <i>(Available in polished aluminium frame only)</i>	€1,613
	WW	Walnut Wood <i>(Available in polished aluminium frame only)</i>	€1,613
	WE	Ebony Wood <i>(Available in polished aluminium frame only)</i>	€1,613
FRAME COLOUR	B	Black with Black Trim	-
	P	Polished Aluminium	€309
TEXTILE		Textile Grade 2 (RF, RM)	€618
		Textile Grade 3 (HL, SQ, ST)	€982
		Textile Grade 4 (AR, CD, EL, VN)	€1,509
		Leather Grade 1 (ML)	€969
TEXTILE COLOUR	10*	Carbon <i>(Matching Stitch - N)</i>	-
	21*	Espresso <i>(Matching Stitch - A)</i>	-
	22	Teak <i>(Matching Stitch - C)</i>	-
	12	Slate <i>(Matching Stitch - M)</i>	-
	11*	Stone <i>(Matching Stitch - Y)</i>	-
	31*	Bone <i>(Matching Stitch - V)</i>	-
	13	Frost <i>(Matching Stitch - W)</i>	-
	23	Terra <i>(Matching Stitch - T)</i>	-
BOX STITCHING <i>*Only Matching Box Stitching</i>	N	Noir	-
	C	Coffee	-
	M	Midnight	-
	A	Cocoa	-
	V	Vanilla	-
	Y	Light Grey	-
	W	White	-
	T	Tan	-
SEAT TYPE	F	Standard Seat Pan	-
CYLINDER HEIGHT	S	Standard 125mm (5")	-
CASTERS	H	Standard Casters	-
	S	Soft Casters	€27
	K	Locking Casters	€130
FIRE PROOFING	N	Standard Plastics and Foams	-
SHIPPING	C	Individually Boxed	-

REPLACEMENT PART	CODE	LIST PRICE
Upholstered Seat Cushion	US11223	
Textile Grade 2		€373
Textile Grade 3		€409
Textile Grade 4		€448
Leather Grade 1		€498
Back Shell	UBP11223	
Textile Grade 2		€869
Textile Grade 3		€915
Textile Grade 4		€954
Leather Grade 1		€1,000

REPLACEMENT PART	CODE	LIST PRICE
Upholstered Back Cushion	UB11223	
Textile Grade 2		€1,052
Textile Grade 3		€1,098
Textile Grade 4		€1,136
Leather Grade 1		€1,181
Wood components		
Wood Back- Center Panel	UWB455	€627
Wood Back-LH/RH Arm Panels	UWB455	€496

* 1=Leather Option, 2= Leather Colour, 3= Stitching Colour, 4=Location (C for Center, A for Arms),
5=Wood Option

SUMMA Common Configurations

U1ULPML10NFSxNC	€6,019
	<ul style="list-style-type: none"> • Upholstered Leather Back Shell • Maribo (Chrome-Free Leather) Carbon Textile Colour • Polished Aluminium Frame • Standard Seat Pan • Standard 125mm (5") Cylinder • Caster Options (x): H – Standard or S – Soft (+ €27)
U1ULPML11YFSxNC	€6,019
	<ul style="list-style-type: none"> • Upholstered Leather Back Shell • Maribo (Chrome-Free Leather) Stone Textile Colour • Polished Aluminium Frame • Standard Seat Pan • Standard 125mm (5") Cylinder • Caster Options (x): H – Standard or S – Soft (+ €27)
U1ULPML21AFSxNC	€6,019
	<ul style="list-style-type: none"> • Upholstered Leather Back Shell • Maribo (Chrome-Free Leather) Espresso Textile Colour • Polished Aluminium Frame • Standard Seat Pan • Standard 125mm (5") Cylinder • Caster Options (x): H – Standard or S – Soft (+ €27)
U1ULPML31VFSxNC	€6,019
	<ul style="list-style-type: none"> • Upholstered Leather Back Shell • Maribo (Chrome-Free Leather) Bone Textile Colour • Polished Aluminium Frame • Standard Seat Pan • Standard 125mm (5") Cylinder • Caster Options (x): H – Standard or S – Soft (+ €27)
U1WWPML10NFSxNC	€6,659
	<ul style="list-style-type: none"> • Walnut Wood Back Shell • Maribo (Chrome-Free Leather) Carbon Textile Colour • Polished Aluminium Frame • Standard Seat Pan • Standard 125mm (5") Cylinder • Caster Options (x): H – Standard or S – Soft (+ €27)
U1WWPML11YFSxNC	€6,659
	<ul style="list-style-type: none"> • Walnut Wood Back Shell • Maribo (Chrome-Free Leather) Stone Textile Colour • Polished Aluminium • Standard Seat Pan • Standard 125mm (5") Cylinder • Caster Options (x): H – Standard or S – Soft (+ €27)
U1WWPML21AFSxNC	€6,659
	<ul style="list-style-type: none"> • Walnut Wood Back Shell • Maribo (Chrome-Free Leather) Espresso Textile Colour • Polished Aluminium • Standard Seat Pan • Standard 125mm (5") Cylinder • Caster Options (x): H – Standard or S – Soft (+ €27)
U1WWPML31VFSxNC	€6,659
	<ul style="list-style-type: none"> • Walnut Wood Back Shell • Maribo (Chrome-Free Leather) Bone Textile Colour • Polished Aluminium • Standard Seat Pan • Standard 125mm (5") Cylinder • Caster Options (x): H – Standard or S – Soft (+ €27)

NOTE: 10 weeks lead-time. 'x' denotes caster option.



DIFFRIENT OCCASIONAL

Diffrient Occasional is a stackable multipurpose chair that is suitable for a variety of office and group settings. Its proprietary non-stretch mesh creates a three dimensional form – fitting the user like a perfectly tailored shirt. As with all of our mesh chairs, Occasional has a minimalist aesthetic and is supportive in all positions for long-term comfort.



DIFFRIENT OCCASIONAL



Diffrient Occasional is a stackable multipurpose chair that is suitable for a variety of office and group settings. A strong, linear backrest made with proprietary non-stretch mesh creates a three-dimensional form – fitting the user like a perfectly tailored shirt. As with all of our mesh chairs, Occasional has a minimalist aesthetic and is supportive in all positions for long-term comfort.

- The lightweight chairs can be stacked up to five high for easy storage
- Long-lasting frame and durable urethane arms resist damage, even when moved and stacked
- Mesh pattern can be configured to match our Diffrient World task chair for a consistent aesthetic

Product Weight	9.8kg (21.5 lbs.)
Product Height	932mm (36.68")
Product Width	590mm (23.23")
Product Depth	538mm (21.19")
Product Finishes	<i>Backrest Frame</i> - Black, Light Grey <i>Cantilever Base</i> - Black Powder Coat, Silver Powder Coat, Chrome 3

Build Your Product Code

Build Your Product Code			Liberty 01	Smart 02	World 03
COMPONENT	CODE	Base Model Price	€671	€671	€671
Frame Colour	B	Black with Black Trim	-	-	-
	V	Silver with Grey Trim	-	N/A	-
	D	Silver with Dark Grey Trim	N/A	-	N/A
	T	Chrome 3 with Black Trim	€75	€75	N/A
	C	Chrome 3 with Grey Trim	€75	N/A	N/A
	R	Chrome 3 with Dark Grey Trim	N/A	€75	N/A
Backrest Mesh	M	Monofilament	-	-	-
	C	Silver Check	-	-	-
	N	Pinstripe	-	-	-
	J	Catena	-	-	-
Mesh Colour		See page 52 for mesh colour options and codes			
Seat Textile		Textile Grade 1 (O)	-	-	-
		Textile Grade 2 (RM)	€44	€44	€44
		Leather Grade 0 (Q)	€230	€230	N/A
		Leather Grade 1 (X)	€515	€515	N/A
		Chrome-Free Leather Grade 1 (TL)	€445	€445	N/A
		Chrome-Free Leather Grade 3 (CL)	€667	€667	N/A
Textile Colour		See pages 46-52 and textile samples for colour options and codes			
Fire Proofing	N	Standard Plastics & Foams	-	-	-
Shipping	C	Individually Boxed	-	-	-
	B	Recyclable Bag - <i>See Terms & Conditions for minimum order requirements</i>	-	-	-

Replacement Parts

COMPONENT	CODE	TEXTILE GRADE 1	TEXTILE GRADE 2	LEATHER GRADE 0 & 1	LEATHER GRADE 3
SEAT CUSHION	OCC121222	€189	€230	€453	€778

**Leather only available on Smart and Liberty back versions*

MESH BACK	CODE	PRICE
Liberty Back	OCC1B3422	€160
Smart Back	OCC2B3422	€160
World Back	OCC3B3422	€160

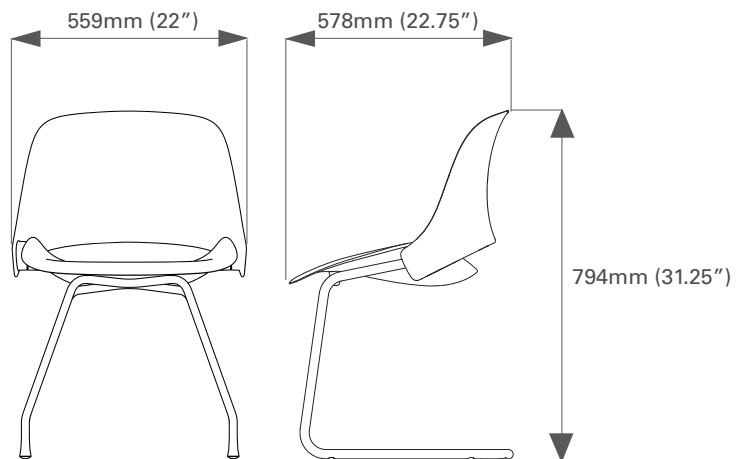
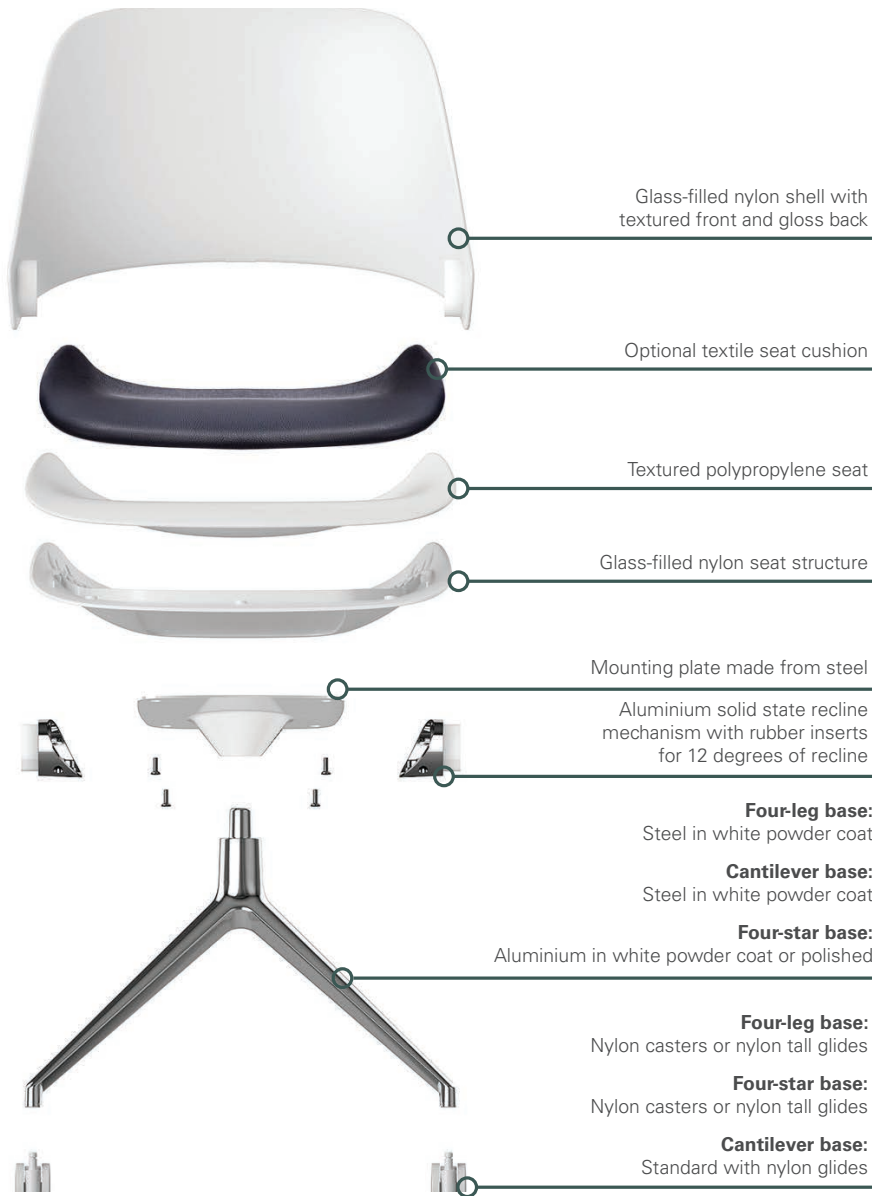


TREA

Created in collaboration with visionary designer Todd Bracher, Humanscale's Trea chair features a sophisticated design that embodies versatility. Engineered with an innovative solid state recline mechanism, Trea offers intuitive comfort, while its fresh yet classic aesthetic provides stylish support in office and home interiors. Available with a variety of base, finish and upholstery options, Trea can be customised for use in a variety of spaces.



TREA Features & Specifications



WEIGHTS
• Four-leg: 9kg (20 lbs.)
• Cantilever: 9.9kg (21.75 lbs.)
• Four-star: 9.3kg (20.5 lbs.)

TREA Build Your Product Code

COMPONENT	CODE		LIST PRICE
LINE	T	Trea	-
STYLE	100	Four Legs	€548
	200	Cantilever	€604
	300	Four Star	€812
FRAME FINISH	W	White powder coat - Available with all base styles	-
	P	Polished Aluminium - Only available with Four Star Bases	€112
BACKREST SHELL COLOUR	W	White	-
SEAT SHELL COLOUR	W	White - Only available with White Backrest Shell	-
SEAT PAD TEXTILE	XX	No Seat Pad Selected	-
		Textile Grade 1 (O)	€104
		Textile Grade 2 (RM, RF)	€128
		Textile Grade 3 (HL, SQ, ST)	€277
		Textile Grade 4 (AR, CD, EL, VN)	€478
		Leather Grade 0 (Q)	€443
		Leather Grade 1 (X)	€487
		Chrome-Free Leather Grade 1 (TL)	€496
		Chrome-Free Leather Grade 3 (CL)	€708
SEAT PAD TEXTILE COLOUR	XX	No Seat Pad Selected	-
CASTERS	G	Glides	-
	C	Hard Casters	€31
	S	Soft Casters	€37
	K	Hard Braking Casters	€43
	O	Soft Braking Casters	€48
		<i>Only available with Four Legs & Four Star</i>	
FIREPROOFING	N	None - Standard Plastics & Foams	-
SHIPPING	C	Individually Boxed	-
	B	Recyclable Bag - See Terms & Conditions for minimum order requirements	-

Replacement Parts

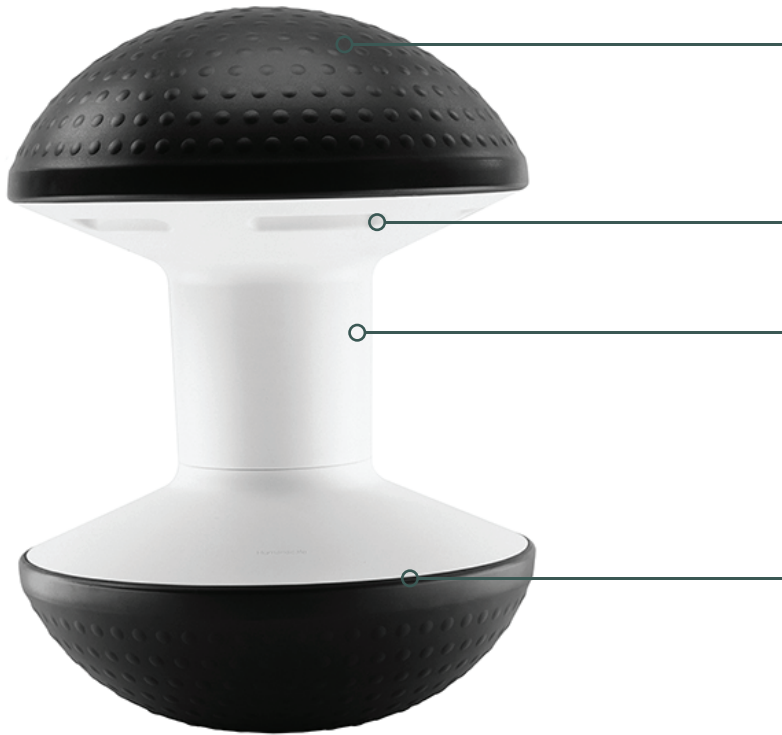
COMPONENT	CODE	TEXTILE 1	TEXTILE 2	TEXTILE 3	TEXTILE 4	LEATHER 0 & 1	LEATHER 3
SEAT CUSHION	TS1222	€97	€118	€168	€245	€468	€672



BALLO

A fun sitting solution, Ballo is a multipurpose stool that is ideal for a wide range of environments. Designed by Don Chadwick, it reinvents the exercise ball, with a design that is appropriate for workplace settings while offering easier storage. Promoting short-term, active sitting, Ballo also encourages low intensity physical activity and helps to reduce sedentary behaviour.

BALLO Features & Specifications



AIR-FILLED TOP AND BOTTOM DOMES

- The top and bottom non-slip, dimpled air domes are made from a thermoplastic vulcanizate (TPV) material, rather than PVC that is the industry standard and can off-gas.

LIGHTWEIGHT

- Lightweight at just 6.1kg (13.5 lbs.) and with cleverly designed hand holds, Ballo can be easily moved from space to space.

HANDLE HOLDS

- Ballo comes with handle holds for easy portability.

CENTRAL COLUMN

- Ballo's cone and spool column made out of polypropylene

BODY FIT

- Air-filled, non-slip dimpled domes shape to the body and provide a comfortable sitting experience.

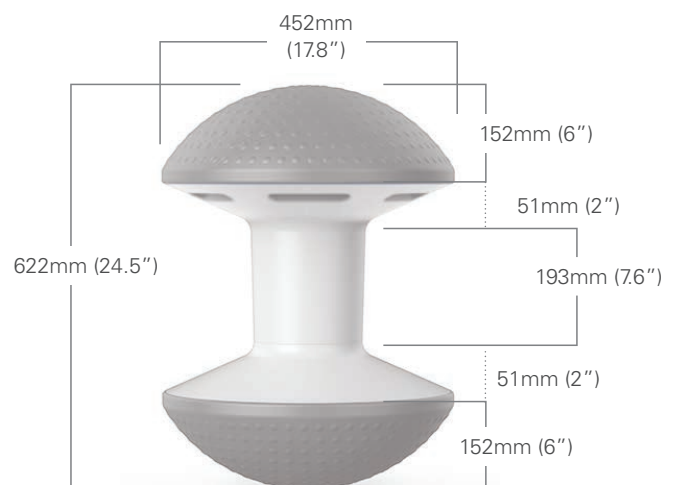
SAFE AND COMPACT

- Counterweighted base ensures Ballo remains upright for stable movement and convenient storage.

DURABLE AND ECO-FRIENDLY

- Ballo is made from eco-friendly, easy-clean and durable TPV materials which can be configured in various hues to add colour to any space.
- Innovative spool-shaped central column is made from strong, long-lasting polypropylene and designed with clean lines to offer a modern aesthetic.

WEIGHT
• 6.1kg (13.5 lbs.)
NOTE: ALL DIMENSIONS MEASURED AT .35 PSI ON EACH DOME



BALLO Build Your Product Code

COMPONENT	CODE	BASE MODEL PRICE	€464
LINE	B	Ballo	-
STYLE	10	Standard	-
DOME COLOUR	B	Black	-
	G	Grey	-
	S	Sky Blue	-
BODY COLOUR	W	White	-
FIRE PROOFING	N	Standard Plastics	-
SHIPPING	C	Individually Boxed	-

NOTE: Colours availability may be subject to MOQ (minimum order quantity), please consult your Humanscale representative for more details.

REPLACEMENT PARTS	CODE	PRICE
Ballo Accessories		
Ballo Pump	BALLO_PUMP	€18
Ballo Needle	BALLO_NEEDLE	€1

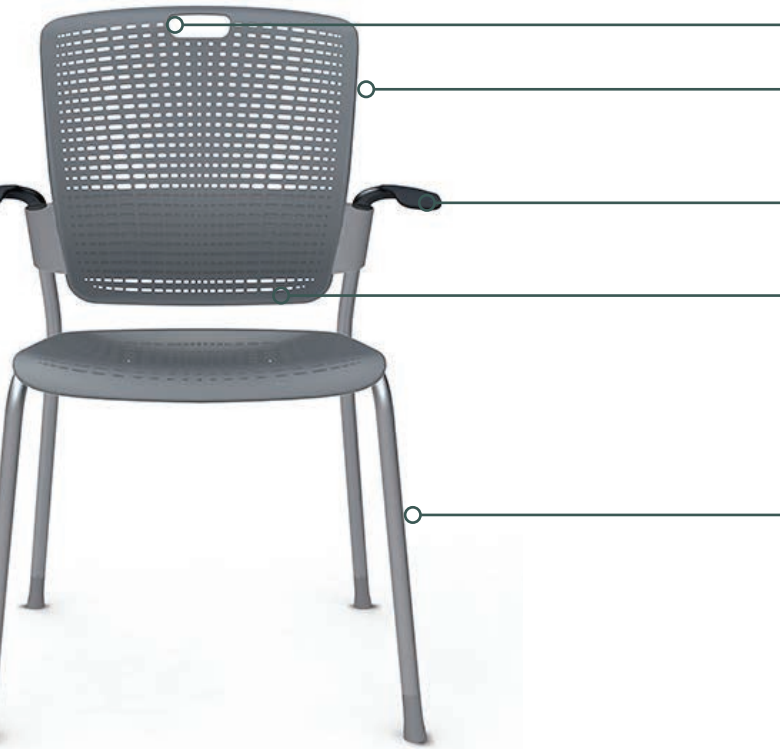
----- A needle is included with each Ballo Pump



CINTO

Appropriate for a wide range of commercial and residential environments, Cinto sets a new standard for ergonomic stackable seating through unique design and manufacturing innovations. Spanish for “belt,” Cinto features a floating backrest that is attached to the chair’s frame via a flexible belt, allowing it to move with the body to provide recline and automatic lumbar support. For cool seated comfort, air vents on the backrest and seat pan enable air circulation.

CINTO Features & Specifications



BACKREST HANDLE

- Provides easy transport

FLEXIBLE BACKREST

- Attached to the chair's frame via a flexible belt, the floating backrest bends and adjusts with the sitter
- Flexibility of backrest creates virtual pivot point for automatic lumbar support
- No adjustments required

ARMREST OPTIONS

- Armless
- Fixed arms

VENTED SEAT PAN AND BACKREST

- Promotes air circulation and prevents "hot spots"

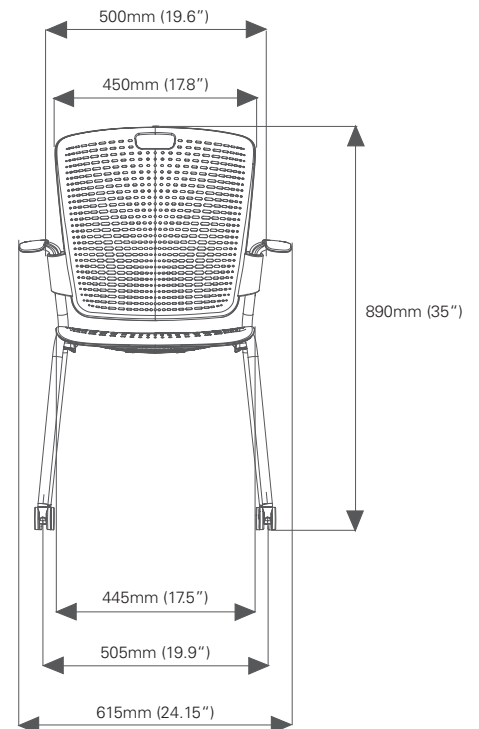
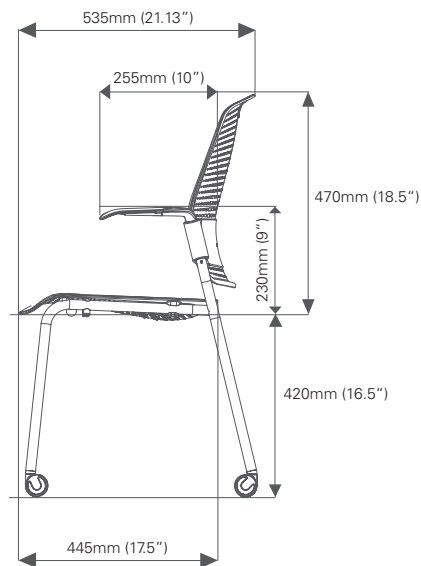
STACKABILITY

- Freestanding Cintos stack six chairs high
- Up to 15 chairs can be stacked on the optional Cinto Dolly

BASE OPTIONS

- Four legs on glides
- Four legs on casters

WEIGHT
<ul style="list-style-type: none"> • 4kg (9 lbs.) Armless chair • 4.5kg (10 lbs.) Fixed-Arm chair
CINTO DOLLY EMPTY
<ul style="list-style-type: none"> • Height 1120mm (44") • Depth 1040mm (41") • Width 660mm (26")
CINTO DOLLY FULLY STACKED WITH 15 CHAIRS
<ul style="list-style-type: none"> • Height 1700mm (67") • Depth 1040mm (41") • Width 660mm (26")
WEIGHT CAPACITY
<ul style="list-style-type: none"> • 136kg (300 lbs.)



CINTO Build Your Product Code

COMPONENT	CODE	BASE MODEL PRICE	€254
LINE	C	Cinto	-
STYLE	1	Four Legs, Glides	-
	2	Four Legs, Casters	€38
ARMRESTS	0	Armless	-
	5	Fixed Arms	€59
FRAME COLOUR	S	Silver	-
	B	Black	-
BACKREST, SEAT PAN COLOUR	01	White	-
	10	Black	-
	15	Grey	-
	17	Taupe	-
	18	Light Grey	-
	33	Yellow	-
	41	Green	-
	52	Light Blue	-
	53	Blue	-
	72	Red	-
OPTIONAL SEAT PAD	XXXX	No seat pad	-
	O001	Oxygen Inhale	€97
	O005	Oxygen Tranquil	€97
	O010	Oxygen Revive	€97
	O021	Oxygen Serene	€97
FIRE PROOFING	N	Standard Plastics	-

PARTS & ACCESSORIES

Code Price

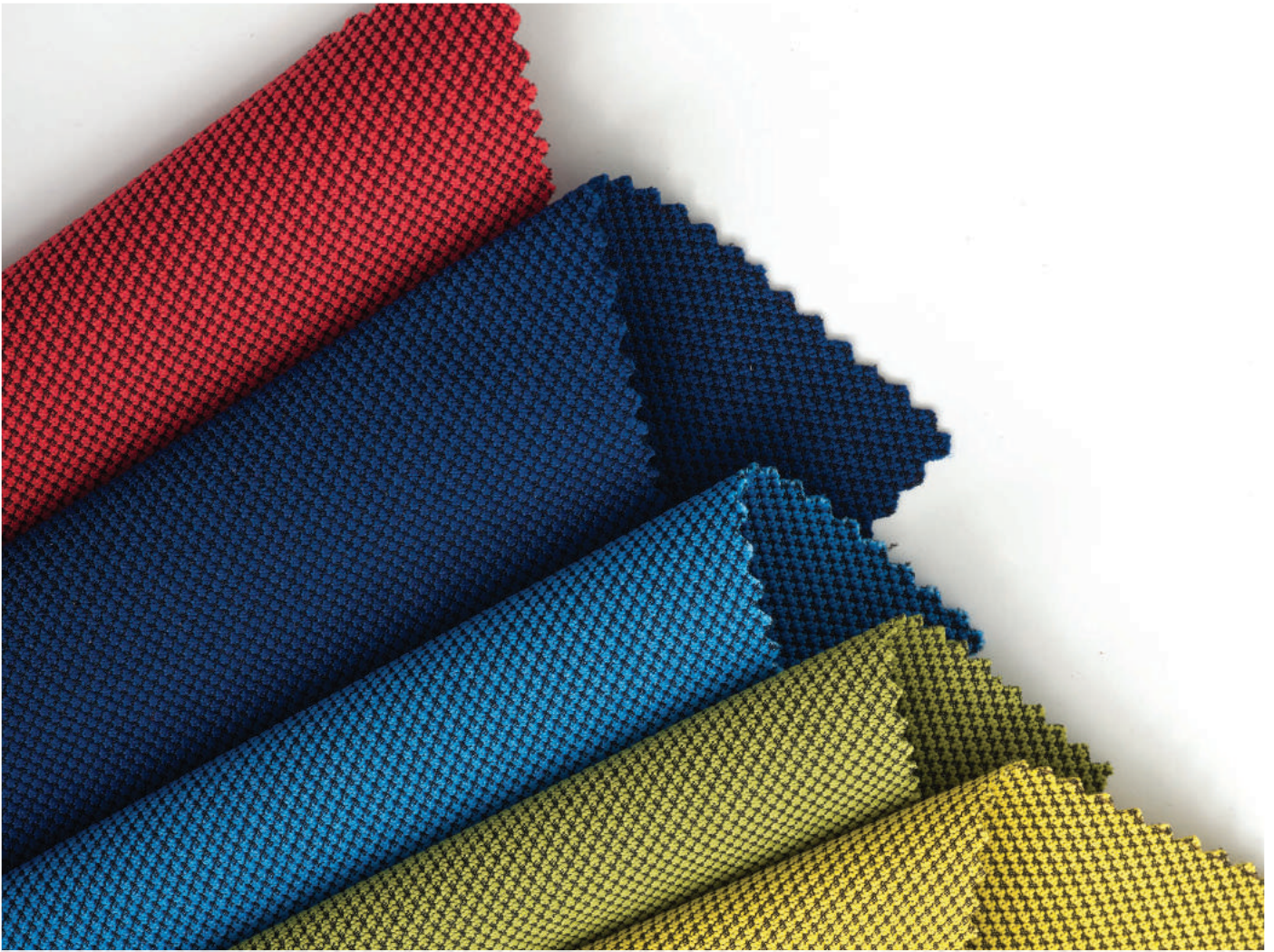
Replacement Parts

Seat Pan	CRS11	€57
Seat Pad	CRP114555	€150
Casters (Black, Set of 4)	CRCAST	€33
Glides (Set of 4)	CRGLIDE2	€10
Arm Sleeves (Pair)	CRA3	€29
Retrofit Armrest Kit (Pair)	CKA23	€87

Accessories

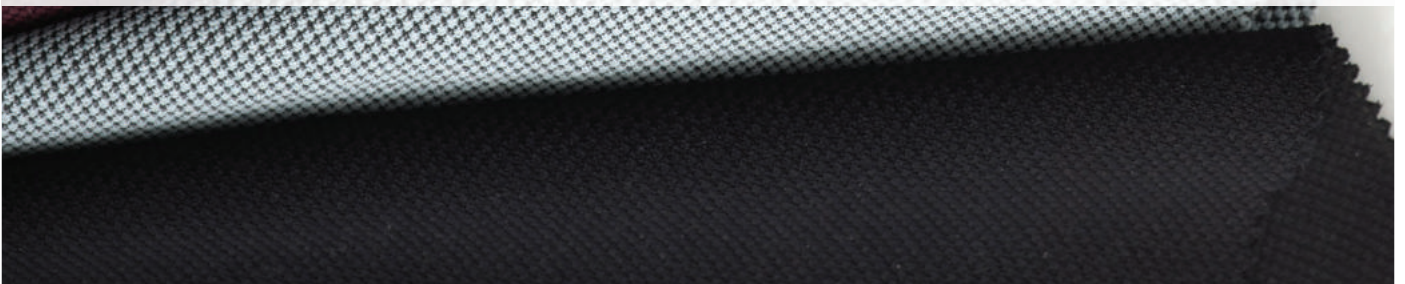
Cinto Dolly	CINTODLY	€264
-------------	-----------------	------

Any code containing a number refers to the component or textile that must be selected to order the replacement or retrofit part.
 1- Backrest, Seatpan Colour; 2 - Frame Colour (S-Silver, B-Black); 3 - Trim Colour (G-Grey, B-Black); 4 - Textile Code (pages 46-52); 5 - Textile Colour (pages 46-52)



Textiles

The cushions on all Humanscale chairs utilise advanced technology developed primarily for the sportswear and sporting goods industries. In a single step, a high-tech molding process combines the textile, foam or Technogel®, and plastic support shell into a single, modular unit which can be attached to our seating with four screws. Because of this advanced process, the textiles used on the cushions are as unique as the rest of the chair, and satisfy requirements more demanding than typical upholstery textiles.



TEXTILES

OXYGEN		Code	Colour
Textile Code: O	Textile Grade: 1	001	Inhale *
<p>Composed of 90% Wool and 10% Nylon, Oxygen is a light weight fabric with high abrasion resistance and stretch properties. Oxygen is a Second Nature branded climate neutral upholstery fabric with sleek, tailored appearance available in 23 fresh shades. During the fabric manufacturing process greenhouse gases are released, such a carbon dioxide, which contribute to climate change. The climate neutral concept means that these emissions are offset or balanced.</p>		002	Cleanse *
		004	Karma
		005	Tranquil *
		007	Mediate
		008	Relax *
		010	Revive *
		011	Reike*
		012	Massage
		013	Garden *
		014	Free
		020	Aloe *
		021	Serene *
		030	Liberty *
		034	Yarrow *
		035	Life *
		039	Spruce *
		050	Namaskar
		051	Pose *
		054	Silence
057	Vishnu		
058	Still		
059	Virtue		

FormSense Eco Knit		Code	Colour
Textile Code: KT		10	Soft Black
<p>Exclusively created for our Path chair, Revital is our FormSense Eco Knit™ that is made of 100% post-consumer recycled polyester. Derived from upcycled plastic bottles, this textile utilises 3D knit technology that individually controls each stitch, creating intricate and systematic patterns with targeted zones of tension. This allows the material to fit the contours of the body, providing self-adjusting lumbar support that is tailored to fit every user.</p>		11	Graphite
		12	Storm
		42	Evergreen
		50	Midnight
		51	Blue Steel

The following textile is compliant in accordance of Schedule 4 Part 1, Schedule 5 part 1, and EN 1021: Oxygen.

*Denotes standard textiles.

REFLECT †

Textile Code: RF Textile Grade: 2

Reflect is a sophisticated twill weave textile for upholstery designed by Patricia Urquiola made from recycled polyester, with a natural expression and a particularly tactile touch. Reflect has a particularly delicate and soft hand.

Made from recycled polyester, it offers excellent functional performance, as well as a full scale of vibrant colours.

Available in 35 colours

Code	Reflect Colour	Code	Reflect Colour
10	0104	56	0564
11	0114	57	0574
12	0124	61	0614
15	0154	64	0644
16	0164	67	0674
17	0174	69	0694
18	0184	71	0714
19	0194	74	0744
20	0204	77	0774
22	0224	79	0794
27	0274	82	0824
34	0344	88	0884
37	0374	92	0924
38	0384	94	0944
40	0404	96	0964
43	0434	98	0984
44	0444	99	0994
46	0464		

REMIX

Textile Code: RM Textile Grade: 2

Remix is an elegant upholstery textile distinguished by exceptional depth of colour. The textile features a tight, minimalistic weave, and derives its lively colour play from a combination of two different mélange yarns, which each fuse up to three hues.

Available in 72 colours

Code	Remix Colour	Code	Remix Colour
11	0113	60	0606
12	0123	61	0612
01	0126	63	0632
13	0133	64	0643
03	0136	65	0653
14	0143	66	0662
15	0152	67	0672
16	0163	62	0682
17	0173	68	0686
18	0183	69	0692
19	0196	71	0716
22	0223	72	0722
23	0233	73	0733
24	0242	74	0743
25	0252	75	0753
26	0266	76	0762
27	0276	77	0773
28	0286	78	0783
29	0296	79	0796
32	0326	81	0816
34	0346	82	0823
35	0356	83	0836
36	0362	84	0842
37	0373	85	0852
38	0383	86	0866
39	0393	87	0873
40	0406	90	0906
41	0412	91	0912
42	0422	92	0923
43	0433	93	0933
44	0443	94	0942
45	0452	95	0954
51	0516	96	0962
53	0536	97	0973
54	0543	98	0982
56	0566	99	0996

The following textile is compliant in accordance of Schedule 4 Part 1, Schedule 5 part 1, EN 1021, and Crib 5: Remix.

NOTES:

†For users in the United Kingdom, chairs configured with Kvadrat Reflect may only be sold and/or used for contract, commercial, or office building purposes. Because Humanscale aims to manufacture without toxic ingredients, our chairs do not contain the fire retardants required to comply with UK laws for residential settings. Chairs configured with Kvadrat Reflect may not be sold or used in residential or home settings under any circumstances and such a sale or use will void the warranty.

*All Kvadrat textiles are standard textiles.

HALLINGDAL 65

Textile Code: HL Textile Grade: 3

Kvadrat's first textile, Hallingdal, is the archetype of woolen textiles. Its strong upholstery fabric is made of wool and viscose, providing excellent durability and flexibility. Both materials are dyed before they are spun, which highlights the rich texture of the fabric.

Available in 58 colours

Code	Hallingdal 65 Colour	Code	Hallingdal 65 Colour
01	0100	57	0573
03	0103	59	0590
11	0110	56	0596
13	0113	60	0600
06	0116	65	0657
23	0123	66	0660
12	0126	67	0674
30	0130	80	0680
14	0143	68	0687
15	0153	69	0694
16	0166	70	0702
17	0173	72	0723
18	0180	73	0733
19	0190	50	0750
02	0200	07	0753
20	0220	75	0754
24	0224	76	0763
22	0227	74	0764
27	0270	77	0773
35	0350	81	0810
38	0368	84	0840
37	0370	85	0850
36	0376	89	0890
39	0390	97	0907
40	0407	94	0944
42	0420	90	0960
45	0457	96	0968
52	0526	98	0980
54	0547		
53	0563		

STEELCUT TRIO

Textile Code: ST Textile Grade: 3

Steelcut Trio is a hardwearing woolen upholstery textile with an innovative weave with a simple yet precise expression. Its three-dimensional surface resembles small pyramids or steel points. Steelcut Trio is yarn-dyed and made from 3 differently coloured yarns.

Available in 54 colours.

Code	St. Trio Colour	Code	St. Trio Colour
10	0105	51	0515
11	0113	52	0526
12	0124	53	0533
13	0133	55	0553
15	0153	57	0576
17	0176	61	0616
19	0195	63	0636
20	0205	64	0645
21	0213	66	0666
22	0226	68	0686
23	0236	71	0713
24	0246	76	0716
25	0253	74	0746
26	0266	75	0756
27	0276	77	0776
28	0283	79	0796
33	0336	80	0806
37	0376	86	0865
38	0383	88	0883
41	0416	90	0906
42	0426	91	0916
43	0436	94	0946
44	0446	95	0953
45	0453	96	0966
46	0466	97	0976
47	0476	98	0983
50	0506	99	0996

STEELCUT QUARTET

Textile Code: SQ Textile Grade: 3

Steelcut Quartet is an upholstery textile with a pioneering mélange look, characterised by softness, colour depth, and durability. This textile has a sustainable profile and comes in optimistic, warm colourways by Giulio Ridolfo. The textile's colourways harmonise these positive, bold notes to vibrant effect.

Available in 19 colours

Code	St. Quartet Colour	Code	St. Quartet Colour
11	0114	55	0554
14	0144	64	0644
15	0154	65	0654
22	0224	66	0664
35	0354	68	0684
39	0394	76	0764
41	0414	92	0924
43	0434	94	0944
53	0534	99	0994
54	0544		

NOTE: *All Kvadrat textiles are standard textiles

ARDA

Textile Code: AR Textile Grade: 4

Arda is a knitted, tapestry- like upholstery textile primarily constructed from natural woolen yarn. Double-knitted, it replicates textures and tones of different natural environments found in Sweden.

Available in 12 colours

Code	Arda Colour	Code	Arda Colour
13	0131	67	0671
16	0161	77	0771
20	0201	79	0791
21	0211	93	0931
32	0321	96	0961
35	0351	99	0991

CODA 2

Textile Code: CD Textile Grade: 4

Coda is a tactile upholstery textile made from wool that is woven in two layers, each with a different colour. This fabric features a distinctive three-dimensional expression that combines a graphic, textured surface, and sophisticated colours.

Available in 18 colours

Code	Coda 2 Colour	Code	Coda 2 Colour
01	0100	41	0410
10	0103	42	0422
11	0116	44	0442
18	0182	61	0610
22	0222	63	0632
23	0232	64	0642
24	0242	72	0722
36	0362	76	0762
38	0382	96	0962

ELLE

Textile Code: EL Textile Grade: 4

Elle is a curled boucle fabric made of spun boucle yarn and is comprised of wool, viscose, and acrylic, giving the surface soft tactility.

Available in 14 colours

Code	Elle Colour	Code	Elle Colour
15	0150	35	0350
18	0180	39	0390
20	0200	48	0480
22	0220	53	0530
23	0230	68	0680
28	0280	75	0750
29	0290	95	0950

VANIR

Textile Code: VN Textile Grade: 4

Vanir is a felted woolen textile inspired by historical woolen military coats. It is created through an exacting technique that makes a dense yet soft felt with dissolved speckles of colour from the bouclé yarn.

Available in 18 Colours

Code	Vanir Colour	Code	Vanir Colour
11	0113	44	0443
13	0133	47	0473
19	0193	69	0693
24	0243	73	0733
29	0293	77	0773
36	0363	88	0883
37	0373	91	0913
39	0393	94	0943
41	0413	98	0983

NOTE:

*All Kvadrat textiles are standard textiles

CUSTOM MATERIALS:

Textiles – Humanscale is pleased to offer a Customer Own Material (COM) service. Fabrics supplied by the customer require approval by the Humanscale factory. The price customers will be charged for this service is equivalent to a Grade 2 Textile in the price guide.

CHROME-FREE LEATHERS

NOTE: Only matching stitch or contrast stitch options may be selected with each leather colour

TICINO		Code	Colour	Matching Stitch Code	Contrast Stitch Code
Textile Code: TL Leather Grade: 1 Ticino is a semi-aniline dyed leather available in a variety of rich colours inspired by nature. It is a top, corrected grain leather to create a more natural aesthetic and ensure the leather remains as unique as the hide itself.	10	Obsidian	N	B, R, V	
	11	Pebble	Y	–	
	12	Charcoal	M	Y	
	13	Glacier	W	–	
	21	Umber	A	–	
	22	Canyon	C	–	
	31	Sand	V	–	

CORVARA		Code	Colour	Matching Stitch Code	Contrast Stitch Code
Textile Code: CL Leather Grade: 3 Corvara is a semi-aniline dyed leather that offers a smooth, silky feel and ultimate durability. It is a top, full grain leather that is embossed lightly for a consistent, uniform grain structure.	10	Onyx	N	B, R, V	
	11	Mineral	V	–	
	21	Java	A	–	
	23	Saddle	T	–	
	57	Midnight	N	Y	
	71	Jasper	H	–	

MARIBO		Code	Colour	Matching Stitch Code
Textile Code: ML Leather Grade: 1 Maribo, a soft and pliable semi-aniline leather, created to provide unbeatable comfort and durability while keeping an elegant quality to the leather.	ML10	Carbon	N	
	ML21	Espresso	V	
	ML22	Teak	A	
	ML12	Slate	T	
	ML11	Stone	N	
	ML31	Bone	H	
	ML13	Frost	W	
	ML23	Terra	T	

Leather Stitching Options	Code	Colour	Code	Colour
Choose a stitch colour to match or contrast your choice of leather.	V	Vanilla	T	Tan
	M	Midnight	A	Cocoa
	N	Noir	H	Cherry
	C	Coffee	B	Blue
	Y	Light Grey	R	Red
	W	White		

CUSTOM LEATHERS

Standard leather colours as above. For non-standard colours and for Customer Own Leather, prices are provided on request.

The following textiles are compliant in accordance of Schedule 4 Part 1, Schedule 5 part 1, EN 1021, and Crib 5: Bizon, Columbia, Ticino, and Corvara.

LEATHERS

BIZON

Code	Colour
Textile Code: Q Leather Grade: 0	111 Black
The innovative line of supple Bizon leathers has a thick, rich grain with excellent light fastness. Bizon offers a plain pigmented finish with exceptional strain protection and a very soft touch.	429 Miso
	444 Twilight
	458 Terra

COLUMBIA

Code	Colour
Textile Code: X Leather Grade: 1	12100 Snow
Columbia's combination of a special retannage and technically-advanced finishing process results in a leather that is not only water-resistant but also practical for applications that require a durable finish.	12200 Pebble
	12300 Sand
	12400 Mocha
	12500 Sienna
	12550 Slate
	12600 Noir

Leather Stitching Options

Code	Colour	Code	Colour
Choose a stitch colour to match or contrast your choice of leather.	V Vanilla	A Cocoa	
	M Midnight	W White	
	N Noir	B Beige	
	C Coffee	D Desert	
	E Espresso	G Graphite	
	O Oak	U Deep Blue	
	T Tan		

CUSTOM LEATHERS

Standard leather colours as above. For non-standard colours and for Customer Own Leather, prices are provided on request.

The following textiles are compliant in accordance of Schedule 4 Part 1, Schedule 5 part 1, EN 1021, and Crib 5: Bizon, Columbia, Ticino, and Corvara.

MESH

MONOFILAMENT STRIPE

Code	Colour
Mesh Code: M	10 Black
Using only monofilament yarns that are thin and strong, a simple but classic stripe pattern is achieved through weave structure and yarn placement. This pattern has slight elasticity but terrific memory.	11 Carbon
	14 Platinum
	41 Green
	51 Atlantic
	81 Amber

SILVER CHECK

Code	Colour
Mesh Code: C	12 Alloy
This unique translucent pattern is achieved using monofilament and a silver-plated yarn spun with polyester at its core. More than simply an aesthetic choice, the silver-plated yarn gives the textile flexibility and strength.	

PINSTRIPLE

Code	Colour
Mesh Code: N	01 White
Designed specifically to work with the Diffrient World Chair, this lightweight fabric provides the strength and support of a much heavier mesh by using two different monofilament stretch yarns to provide proper support.	02 Silver
	03 Graphite
	10 Black
	34 Cadmium Yellow
	43 Citron
	58 Cyan
	74 Crimson

CATENA*

Code	Colour
Mesh Code: J	10 Black
Catena's dense and rich hues are inspired by the vibrant spice markets of India. When used as a backrest textile, this proprietary non-stretch mesh provides a customised lumbar support through its tri-panel patented design that fits the user like a tailored shirt.	35 Bayberry
	50 Cornflower
	1A Poppy Seed
	1B Caraway

CUSTOM MATERIALS

Textiles – Humanscale is pleased to offer a Customer Own Material (COM) service. Fabrics supplied by the customer require approval by the Humanscale factory.

The price customers will be charged for this service is equivalent to a Grade 2 Textile in the price guide.

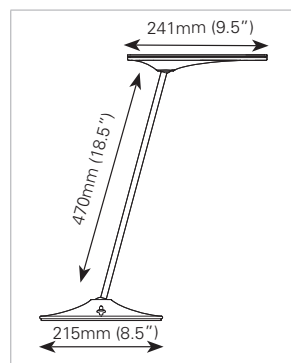
* Longer lead time may apply to Catena, please consult your Humanscale representative for further information.



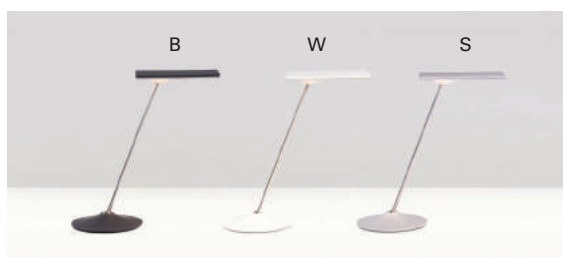
Lighting

Task lighting is an integral part of the ergonomic workstation, and each of Humanscale's task lights provides exceptional levels of bright, comfortable light. Yielding both ergonomic and economic benefits, Humanscale's comprehensive lighting line fits any needs, whether you desire performance, efficiency, ease of use, or all of the above.

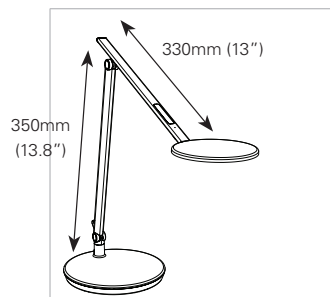
HORIZON 2.0 Build Your Product Code



COMPONENT	CODE		LIST PRICE
STYLE	H2B	Horizon 2.0 Light	€563
PLUG	U	EU/UK Plug Set of 2	€40
COLOUR	B	Jet Black (semi-matte)	-
	W	Artic White (high gloss)	-
	S	Silver (semi-matte)	-
REGION	EU	Europe	-



NOVA Build Your Product Code



NOTE: Limited stock, please consult Customer Service for lead times.

COMPONENT	CODE		LIST PRICE
STYLE	NV	Nova Task Light	€551
	NX	Nova Task Light with Extended Arms	€577
VERSION	3	3000 K	-
	4	4000 K (not available with "NX" Extended Arms)	€11
PLUG	U	EU/UK Plug Set of 2	€40
MOUNT	C	Clamp	-
	B	Desktop Base	€58
	Q	Wireless Charging Desktop Base*	€222
	S	Universal Slatwall	-
	W	Wall Mount	-
COLOUR	G	Light Grey, Matte	-
	W	Arctic White, Matte	-
	B	Jet Black, Matte	-
REGION	EU	Europe	-

*Available in white only.

Nova Replacement Parts (if purchased seperately)

CODE	DESCRIPTION	LIST PRICE
NVBB	Nova Desktop Base, Jet Black	€69
NVBW	Nova Desktop Base, Arctic White	€69
NVBG	Nova Desktop Base, Light Grey	€69
NVCB	Nova Clamp Mount, Jet Black	€25
NVCW	Nova Clamp Mount, Arctic White	€25
NVCG	Nova Clamp Mount, Light Grey	€25
NVWB	Nova Wall Mount, Jet Black	€25
NVWW	Nova Wall Mount, Arctic White	€25
NVWG	Nova Wall Mount, Light Grey	€25
NVSB	Nova Slatwall Mount, Jet Black	€25
NVSW	Nova Slatwall Mount, Arctic White	€25
NVSG	Nova Slatwall Mount, Light Grey	€25
PLUGU	EU/UK Plug Set of 2	€38











M2.1 / M8.1 / M10 Monitor Arms

In today's fast-paced, fully connected digital world, there's no time for discomfort. Humanscale's next generation monitor arm line instantly personalises any workspace for improved comfort, health and productivity. Designed for unprecedented adaptability in the agile workspace, our monitor arms focus on sustainability and the use of technology, while featuring ultra-sleek aesthetics and a reduced cost of ownership.

QUICK SHIP CONFIGURATIONS

M2.1

<p>€294</p> <ul style="list-style-type: none"> • Arm Style: Angled Link/Dynamic Link • Accommodates one monitor up to 7 kg (15.5 lbs.) • Two-piece clamp mount base 	<p>€294</p> <ul style="list-style-type: none"> • Arm Style: Angled Link/Dynamic Link • Accommodates one monitor up to 7 kg (15.5 lbs.) • Sliding Clamp for 25mm Desks 	<p>€294</p> <ul style="list-style-type: none"> • Arm Style: Angled Link/Dynamic Link • Accommodates one monitor up to 7 kg (15.5 lbs.) • Bolt-Thru Mount
<p>Polish Aluminium White Trim M21TBW</p>  <p>Black with Black Trim M21TBB</p> 	<p>Polish Aluminium White Trim M215BW</p>  <p>Black with Black Trim M215BB</p> 	<p>Polish Aluminium White Trim M21BBW</p>  <p>Black with Black Trim M21BBB</p> 


<p>€294</p> <ul style="list-style-type: none"> • Accommodates one monitor up to 7 kg (15.5 lbs.) • Sliding Clamp for 18mm Desks 	<p>€669</p> <ul style="list-style-type: none"> • Accommodates two monitor up to 40 kg (90 lbs.) total • Dual Desk Mount, Clamp Mount
<p>Polish Aluminium White Trim M218BW</p> 	<p>Polish Aluminium White Trim X22DBW</p>  <p>Black with Black Trim X22DBB</p> 

NOTE: *-IND orders of these products follow the pricing in the "Build Your Product Code" section, please refer to pages 57-67.

QUICK SHIP CONFIGURATIONS

M8.1




<p>€484</p> <ul style="list-style-type: none"> • Arm Style: Angled Link/Dynamic Link • Accommodates 1 monitors up to 12.7kg (28 lbs.) • 2 Piece Clamp Mount Base 	<p>€576</p> <ul style="list-style-type: none"> • Dual Crossbar • Arm Style: Angled Link/Dynamic Link • Accommodates 2 monitors up to maximum weight 5.6kg (12.5 lbs.) • 2 Piece Clamp Mount Base 	<p>€576</p> <ul style="list-style-type: none"> • Dual Crossbar • Arm Style: Angled Link/Dynamic Link • Accommodates 1 monitors up to 12.7kg (28 lbs.) • Slide Clamp for 25mm Desks
<p>Polish Aluminium White Trim M81TBW</p>  <p>Black with Black Trim M81TBB</p> 	<p>Polish Aluminium White Trim M82CBW</p>  <p>Black with Black Trim M82CBB</p> 	<p>Polish Aluminium White Trim M825BW</p> 




<p>€484</p> <ul style="list-style-type: none"> • Arm Style: Angled Link/Dynamic Link • Accommodates 1 monitors up to 12.7kg (28 lbs.) • Slide Clamp for 18mm Desks 	<p>Polish Aluminium White Trim M818BW</p> 
--	--

NOTE: * -IND orders of these products follow the pricing in the "Build Your Product Code" section, please refer to pages 57-67.

QUICK SHIP CONFIGURATIONS

M/FLEX

<p>€467</p> <ul style="list-style-type: none"> • Arm Style: 1 Straight/Dynamic Link • Dual Bracket for one Monitor Arm • Accommodates one monitor up to 7kg (15.5 lbs.) • Two-piece clamp mount base 	<p>€467</p> <ul style="list-style-type: none"> • Arm Style: 1 Straight/Dynamic Link • Dual Bracket for one Monitor Arm • Accommodates one monitor up to 7kg (15.5 lbs.) • 25mm Sliding Desk Clamp 	<p>€686</p> <ul style="list-style-type: none"> • Arm Style: 2 Straight/Dynamic Link • Dual Bracket for 2 Monitor Arms • Accommodates 2 monitors up to maximum weight 5.6kg (12.5 lbs.) • 25mm Sliding Desk Clamp
<p>Polish Aluminium White Trim X21TBW</p> 	<p>Polish Aluminium White Trim X215BW</p> 	<p>Polish Aluminium White Trim X225BW</p> 

<p>€686</p> <ul style="list-style-type: none"> • Arm Style: 2 Straight/Dynamic Link • Accommodates 2 monitors up to maximum weight 5.6kg (12.5 lbs.) • Clamp Mount 	<p>€769</p> <ul style="list-style-type: none"> • Arm Style: Dynamic Link • Accommodates 2 monitors up to maximum weight 5.6kg (12.5 lbs.) • Two-piece clamp mount base
<p>Polish Aluminium White Trim X22TBW</p> 	<p>Polish Aluminium White Trim X22SBW</p> 
<p>Black with Black Trim X22SBB</p> 	

NOTE: *-IND orders of these products follow the pricing in the "Build Your Product Code" section, please refer to pages 57-67.

M2.1 / M8.1 / M10 Build Your Product Code

COMPONENT	CODE		List Price		
			M2.1	M8.1	M10
MONITOR ARM	M21	M2.1 Monitor Arm	-	-	-
	M81	M8.1 Monitor Arm	-	-	-
	M10	M10 Monitor Arm	-	-	-
BASE STYLE	NT	Base without Technology	-	-	-
	M2	M/Connect 2	-	-	-
	M3	M/Connect 3	-	-	-
	NM	No Mount	-	-	-
BASE VERSION	1	M/Power Charging Hub	€254	€254	€254
	2	USB Data Hub	€297	€297	€297
	3	USB Data Hub + Dock	€758	€758	€758
	-	M/Connect 2 Modular	€749	€749	€749
	N	No Technology	€28	€120	€120
	0	No Mount	-	-	-
MOUNTING OPTIONS	C	Clamp Mount	€53	€53	€53
	B	Bolt Through	€53	€53	€53
	2	12mm Sliding Desk Clamp	€53	€53	€53
	8	18mm Sliding Desk Clamp	€53	€53	€53
	5	25mm Sliding Desk Clamp	€53	€53	€53
	0	30mm Sliding Desk Clamp	€53	€53	€53
	S	Universal Slatwall Mount	€53	€53	€53
	H	Direct Hardwall Mount	€53	€53	€53
	D	Clamp and Bolt Thru Mount Combo	€105	€80	€80
	F	Frame One Mount	€53	€53	€53
	A	c:Scape Mount	€53	€53	€53
	N	No Mount	0	0	0
COLOUR	W	Polished Aluminium with White Trim	-	-	-
	B	Black with Black Trim	-	-	-
ARM LINKS	N	No Arm Link	-	-	-
	D	Dynamic Link	€127	€183	€288
	B	Angled Link/Dynamic Link	€173	€257	€361
	C	4" Straight Link/Dynamic Link	€164	€248	€354
	E	8" Straight Link/Dynamic Link	€173	€257	€361
	F	12" Straight Link/Dynamic Link	€186	€269	€375
	G	4" Straight Link/8" Straight Link	€104	€195	€195
	H	4" Straight Link/12" Straight Link	€117	€210	€210
	J	8" Straight Link/8" Straight Link	€117	€213	€213
	K	8" Straight Link/12" Straight Link	€130	€226	€226
	L	12" Straight Link/12" Straight Link	€143	€240	€240
	M	4" Straight Link/Angled Link/Dynamic Link	€212	€321	€428
	P	4" Straight Link/8" Straight Link/Dynamic Link	€212	€321	€428
	Q	4" Straight Link/12" Straight Link/Dynamic Link	€224	€336	€442
	R	4" Straight Link/8" Straight Link/12" Straight Link	€176	€315	€315

M2.1 / M8.1 / M10 (cont.)

COMPONENT	CODE		List Price		
			M2.1	M8.1	M10
END STYLE	N	No End (Only available with No Arm Link)	-	-	-
	T	Standard Monitor Tilt (one per monitor)	€59	€87	€87
	S	Slider for Single Monitor - Maximum Weight: 10.2kg (22.5 lbs.)	€145	€145	N/A
	2	Crossbar for 2 monitors	N/A	€183	N/A
	H	Crossbar for 2 monitors, with Handle	N/A	€282	N/A
	3	Crossbar for 3 monitors	N/A	N/A	€376
	L	Crossbar for 3 monitors, with Handle	N/A	N/A	€470
VESA	N	No VESA Plate	-	-	-
	G	Standard 100mm x 100mm, grey	-	-	-
	B	Standard 100mm x 100mm, black	-	-	-
	W	Standard 100mm x 100mm, white	-	-	-
	Y	100mm x 200mm, grey	€28	€28	€28
	K	100mm x 200mm, black	€28	€28	€28
	J	200mm x 200mm, black	€41	€41	€41
	D	Dell QA VESA Plate, black	€28	€28	€28
	R	Dell QA VESA Plate, grey	€28	€28	€28
	O	Offset VESA Plate, black	€28	€28	€28
	S	Offset VESA Plate, grey	€28	€28	€28
	A	Adapter Bracket, black	€28	€28	€28
	H	Single Monitor Handle On Accessories Bracket, Black	€120	€120	€120
	E	Single Monitor Handle On Accessories Bracket, Grey	€120	€120	€120
	M	Medium Thin Client Holder, Black	N/A	€106	€106
	T	Medium Thin Client Holder, Grey	N/A	€106	€106
L	Large Thin Client Holder, Black	N/A	€112	€112	
C	Large Thin Client Holder, Grey	N/A	€112	€112	
PLUG STYLE	--	None (<i>Choose if not using M/Connect</i>)	-	-	-
	NA	North America	-	-	-
	EU	Europe	-	-	-
	UK	United Kingdom	-	-	-
	AU	Australia	-	-	-
	SP	Singapore	-	-	-
	CH	China	-	-	-
	HK	Hong Kong	-	-	-
	ID	Indonesia	-	-	-
	NZ	New Zealand	-	-	-
	MX	Mexico	-	-	-
	JP	Japan	-	-	-
	SK	South Korea	-	-	-
	IL	Israel	-	-	-

M2.1 / M8.1 / M10 / Additional Arm Styles

COMPONENT	CODE		List Price		
			M2.1	M8.1	M10
Additional Arm Styles	4	4" Straight Link	€45	€90	€90
Arm Style Step 1	8	8" Straight Link	€58	€106	€106
	1	12" Straight Link	€71	€120	€120
	S	Angled Link/4" Straight Link	€90	€180	€180
	T	Angled Link/8" Straight Link	€104	€195	€195
	U	Angled Link/12" Straight Link	€117	€210	€210
	V	4" Straight Link/4" Straight Link	€90	€180	€180
	W	Angled Link/4" Straight Link/4" Straight Link	€135	€270	€270
	Y	Angled Link/8" Straight Link/4" Straight Link	€149	€286	€286
	Z	Angled Link/12" Straight Link/4" Straight Link	€161	€298	€298
	2	4" Straight Link/4" Straight Link/Dynamic Link	€230	€405	€511
	3	4" Straight Link/4" Straight Link/4" Straight Link	€135	€270	€270
	5	8" Straight Link/4" Straight Link/4" Straight Link	€149	€286	€286
	7	12" Straight Link/4" Straight Link/4" Straight Link	€161	€298	€298
	9	8" Straight Link/8" Straight Link/4" Straight Link	€161	€302	€302

New M/Flex Build Your Product Code

COMPONENT	CODE		List Price		
			M2.1	M8.1	M10
MONITOR ARM	X2	M/Flex for M2.1 Monitor Arm	-	-	-
	X8	M/Flex for M8.1 Monitor Arm	-	-	-
	X1	M/Flex for M10 Monitor Arm	-	-	-
BASE STYLE	NT	Base without Technology	-	-	-
	M2	M/Connect 2	-	-	-
	M3	M/Connect 3	-	-	-
	NM	No Mount	-	-	-
BASE VERSION	1	M/Power Charging Hub	€254	€254	€254
	2	USB Data Hub	€297	€297	€297
	3	USB Data Hub + Dock	€758	€758	€758
	-	M/Connect 2 Modular	€749	€749	€749
	N	No Technology	€51	€51	€51
	0	No Mount	-	-	-
MOUNTING OPTIONS	C	Clamp Mount	€53	€53	€53
	B	Bolt Through	€53	€53	€53
	2	12mm Sliding Desk Clamp	€53	€53	€53
	8	18mm Sliding Desk Clamp	€53	€53	€53
	5	25mm Sliding Desk Clamp	€53	€53	€53
	0	30mm Sliding Desk Clamp	€53	€53	€53
	D	Clamp and Bolt Thru Mount Combo	€82	€82	€82
	F	Frame One Mount	€53	€53	€53
	A	c:Scape Mount	€53	€53	€53
	N	No Mount	0	0	0
BRACKET	N	No Bracket	-	-	-
	A	Dual Bracket for 1 Monitors	€109	€147	€147
	B	Dual Bracket for 2 Monitors	€109	€147	€147
	C	Bracket For 3 Monitors	€147	€192	€192
	D	One Single Monitor Bracket	€99	€121	€121
	E	Two Single Monitor Bracket	€199	€243	€243
	F	Three Single Monitor Bracket	€297	€364	€364
	2	Dual Desk Mount (No Post)	€67	N/A	N/A
G	Dual Desk Mount For Tech	-	N/A	N/A	
COLOUR	W	Polished Aluminium with White Trim	-	-	-
	B	Black with Black Trim	-	-	-
ARM LINKS	N	No Arm Link	-	-	-
	D	Dynamic Link	€127	€183	€288
	B	Angled Link/Dynamic Link	€173	€257	€361
	C	4" Straight Link/Dynamic Link	€164	€248	€354
	E	8" Straight Link/Dynamic Link	€173	€257	€361
	F	12" Straight Link/Dynamic Link	€186	€269	€375
	G	4" Straight Link/8" Straight Link	€104	€195	€195
	H	4" Straight Link/12" Straight Link	€117	€210	€210
	J	8" Straight Link/8" Straight Link	€117	€213	€213
	K	8" Straight Link/12" Straight Link	€130	€226	€226
	L	12" Straight Link/12" Straight Link	€143	€240	€240
	M	4" Straight Link/Angled Link/Dynamic Link	€212	€321	€428
	P	4" Straight Link/8" Straight Link/Dynamic Link	€212	€321	€428
	Q	4" Straight Link/12" Straight Link/Dynamic Link	€224	€336	€442
R	4" Straight Link/8" Straight Link/12" Straight Link	€176	€315	€315	

New M/Flex (cont.)

COMPONENT	CODE		List Price		
			M2.1	M8.1	M10
END STYLE	N	No End (Only available with No Arm Link)	–	–	–
	T	Standard Monitor Tilt (one per monitor)	€59	€87	€87
	S	Slider for Single Monitor - Maximum Weight: 10.2kg (22.5 lbs.)	€145	€145	N/A
	2	Crossbar for 2 monitors	N/A	€183	€183
	H	Crossbar for 2 monitors, with Handle	N/A	€282	€282
	3	Crossbar for 3 monitors	N/A	N/A	N/A
	L	Crossbar for 3 monitors, with Handle	N/A	N/A	N/A
VESA	N	No VESA Plate	–	–	–
	G	Standard 100mm x 100mm, grey	–	–	–
	B	Standard 100mm x 100mm, black	–	–	–
	W	Standard 100mm x 100mm, white	–	–	–
	Y	100mm x 200mm, grey	€28	€28	€28
	K	100mm x 200mm, black	€28	€28	€28
	J	200mm x 200mm, black	€41	€41	€41
	D	Dell QA VESA Plate, black	€28	€28	€28
	R	Dell QA VESA Plate, grey	€28	€28	€28
	O	Offset VESA Plate, black	€28	€28	€28
	S	Offset VESA Plate, grey	€28	€28	€28
	A	Adapter Bracket, black	€28	€28	€28
	H	Single Monitor Handle On Accessories Bracket, Black	€120	€120	€120
	E	Single Monitor Handle On Accessories Bracket, Grey	€120	€120	€120
	M	Medium Thin Client Holder, Black	N/A	€106	€106
T	Medium Thin Client Holder, Grey	N/A	€106	€106	
L	Large Thin Client Holder, Black	N/A	€112	€112	
C	Large Thin Client Holder, Grey	N/A	€112	€112	
POST HEIGHT 30" and 36" Post not allowed with Technology Bases	NP	No Post	–	–	–
	12	12" High Post	€51	€51	€51
	18	18" High Post	€76	€76	€76
	24	24" High Post	€101	€101	€101
	30	30" High Post	€127	€127	€127
	36	36" High Post	€154	€154	€154
PLUG STYLE	--	None (<i>Choose if not using M/Connect</i>)	–	–	–
	NA	North America	–	–	–
	EU	Europe	–	–	–
	UK	United Kingdom	–	–	–
	AU	Australia	–	–	–
	SP	Singapore	–	–	–
	CH	China	–	–	–
	HK	Hong Kong	–	–	–
	ID	Indonesia	–	–	–
	NZ	New Zealand	–	–	–
	MX	Mexico	–	–	–
	JP	Japan	–	–	–
	SK	South Korea	–	–	–
	IL	Israel	–	–	–

New M/Flex Add Ons

COMPONENT	CODE		List Price		
			M2.1	M8.1	M10
PRODUCT GROUP	AX2	M/Flex Add-Ons for M2.1 Monitor Arm	-	N/A	N/A
	AX8	M/Flex Add-Ons for M8.1 Monitor Arm	N/A	-	N/A
	AX1	M/Flex Add-Ons for M10 Monitor Arm	N/A	N/A	-
BRACKET STYLE	S	Smart Stop Only*	-	-	-
	C	Bracket For 3rd Monitor	€38	€49	€49
* Order Smart Stop only when adding an Arm to an existing Dual Bracket					
MOUNT	NM	No Mount	-	-	-
COLOUR	W	Polished Aluminium with White Trim	-	-	-
	B	Black with Black Trim	-	-	-
Arm Style Step 1 Link Selection *see additional Link codes on the following pages **Ships unassembled, link order not a factor	N	No Arm Link	-	-	-
	D	Dynamic Link	€127	€183	€288
	B	Angled Link/Dynamic Link	€173	€257	€361
	C	4" Straight Link/Dynamic Link	€164	€248	€354
	E	8" Straight Link/Dynamic Link	€173	€257	€361
	F	12" Straight Link/Dynamic Link	€186	€269	€375
	G	4" Straight Link/8" Straight Link	€104	€195	€195
	H	4" Straight Link/12" Straight Link	€117	€210	€210
	J	8" Straight Link/8" Straight Link	€117	€213	€213
	K	8" Straight Link/12" Straight Link	€130	€226	€226
	L	12" Straight Link/12" Straight Link	€143	€240	€240
	M	4" Straight Link/Angled Link/Dynamic Link	€212	€321	€428
	P	4" Straight Link/8" Straight Link/Dynamic Link	€212	€321	€428
	Q	4" Straight Link/12" Straight Link/Dynamic Link	€224	€336	€442
	R	4" Straight Link/8" Straight Link/12" Straight Link	€176	€315	€315
Arm Style Step 2 End Style Selection	N	No End (Only available with No Arm Link)	-	-	-
	T	Standard Monitor Tilt (one per monitor)	€59	€87	€87
<i>Sliders and Crossbars available in Silver and Black finish only.</i>	S	Slider for Single Monitor - Maximum Weight: 10.2kg (22.5 lbs.)	€145	€145	N/A
	2	Crossbar for 2 monitors	N/A	€183	€183
	H	Crossbar for 2 monitors, with Handle	N/A	€282	€282
Arm Style Step 3 VESA Bracket Selection	N	No VESA Plate	-	-	-
	G	Standard 100mm x 100mm, grey	-	-	-
	B	Standard 100mm x 100mm, black	-	-	-
	W	Standard 100mm x 100mm, white	-	-	-
	Y	100mm x 200mm, grey	€28	€28	€28
	K	100mm x 200mm, black	€28	€28	€28
	J	200mm x 200mm, black	€41	€41	€41
	D	Dell QA VESA Plate, black	€28	€28	€28
	R	Dell QA VESA Plate, grey	€28	€28	€28
	O	Offset VESA Plate, black	€28	€28	€28
	S	Offset VESA Plate, grey	€28	€28	€28
	A	Adapter Bracket, black	€28	€28	€28
	H	Single Monitor Handle On Accessories Bracket, Black	€120	€120	€120
	E	Single Monitor Handle On Accessories Bracket, Grey	€120	€120	€120
	M	Medium Thin Client Holder, Black	€106	€106	€106
	T	Medium Thin Client Holder, Grey	€106	€106	€106
L	Large Thin Client Holder, Black	€112	€112	€112	
C	Large Thin Client Holder, Grey	€112	€112	€112	
POST HEIGHT	NP	No Post	-	-	-

New M/Flex Additional Arm Styles

COMPONENT	CODE		List Price		
			M2.1	M8.1	M10
Additional Arm Styles	4	4" Straight Link	€45	€90	€90
Arm Style Step 1	8	8" Straight Link	€58	€106	€106
	1	12" Straight Link	€71	€120	€120
	S	Angled Link/4" Straight Link	€90	€180	€180
	T	Angled Link/8" Straight Link	€104	€195	€195
	U	Angled Link/12" Straight Link	€117	€210	€210
	V	4" Straight Link/4" Straight Link	€90	€180	€180
	W	Angled Link/4" Straight Link/4" Straight Link	€135	€270	€270
	Y	Angled Link/8" Straight Link/4" Straight Link	€149	€286	€286
	Z	Angled Link/12" Straight Link/4" Straight Link	€161	€298	€298
	2	4" Straight Link/4" Straight Link/Dynamic Link	€230	€405	€511
	3	4" Straight Link/4" Straight Link/4" Straight Link	€135	€270	€270
	5	8" Straight Link/4" Straight Link/4" Straight Link	€149	€286	€286
	7	12" Straight Link/4" Straight Link/4" Straight Link	€161	€298	€298
	9	8" Straight Link/8" Straight Link/4" Straight Link	€161	€302	€302

Monitor Arm Conversion Kits & Accessories

COMPONENT	CODE		LIST PRICE
MOUNTS	M21CM-x	M2.1 Clamp Mount with Base	€84
	M81CM-x	M8.1 Clamp Mount with Base	€179
	M10CM-x	M10 Clamp Mount with Base	€179
	MF1CM-x	MFlex.1 Clamp Mount with Base	€108
	MD21CM-x	Dual M2.1 Clamp Mount With Base	€176
	M21BT-x	M2.1 Bolt Mount with Base	€84
	M81BT-x	M8.1 Bolt Mount with Base	€179
	M10BT-x	M10 Bolt Mount with Base	€179
	MF1BT-x	MFlex.1 Bolt Mount with Base	€108
	M21SM-x	M2.1 Slatwall Mount with Base	€84
	M81SM-x	M8.1 Slatwall Mount with Base	€179
	M10SM-x	M10 Slatwall Mount with Base	€179
	M21HW-x	M2.1 Direct Wall Mount with Base	€84
	M81HW-x	M8.1 Direct Wall Mount with Base	€179
	M10HW-x	M10 Direct Wall Mount with Base	€179
	M21CS-x	M2.1 C:Scape Mount with Base	€84
	M81CS-x	M8.1 C:Scape Mount with Base	€179
	M10CS-x	M10 C:Scape Mount with Base	€179
	MF1CS-x	MFlex.1 C:Scape Mount with Base	€108
	M21F1-x	M2.1 Frame One Mount with Base	€84
	M81F1-x	M8.1 Frame One Mount with Base	€179
	M10F1-x	M10 Frame One Mount with Base	€179
	MF1F1-x	MFlex.1 Frame One Mount with Base	€108
	M21C2-x	M2.1 12 mm Sliding Desk Clamp Mount with Base	€84
	M81C2-x	M8.1 12 mm Sliding Desk Clamp Mount with Base	€179
	M10C2-x	M10 12 mm Sliding Desk Clamp Mount with Base	€179
	MF1C2-x	MFlex.1 12 mm Sliding Desk Clamp Mount with Base	€108
	M21C8-x	M2.1 18 mm Sliding Desk Clamp Mount with Base	€84
	M81C8-x	M8.1 18 mm Sliding Desk Clamp Mount with Base	€179
	M10C8-x	M10 18 mm Sliding Desk Clamp Mount with Base	€179
	MF1C8-x	MFlex.1 18 mm Sliding Desk Clamp Mount with Base	€108
	M21C5-x	M2.1 25 mm Sliding Desk Clamp Mount with Base	€84
	M81C5-x	M8.1 25 mm Sliding Desk Clamp Mount with Base	€179
	M10C5-x	M10 25 mm Sliding Desk Clamp Mount with Base	€179
	MF1C5-x	MFlex.1 25 mm Sliding Desk Clamp Mount with Base	€108
	M21C0-x	M2.1 30 mm Sliding Desk Clamp Mount with Base	€84
	M81C0-x	M8.1 30 mm Sliding Desk Clamp Mount with Base	€179
	M10C0-x	M10 30 mm Sliding Desk Clamp Mount with Base	€179
	MF1C0-x	MFlex.1 30 mm Sliding Desk Clamp Mount with Base	€108

Monitor Arm Conversion Kits & Accessories (cont.)

COMPONENT	CODE		LIST PRICE
CONVERSION KITS	M21SLDR-S-x-y	M2.1 slider Conversion Kit. Converts End Style To Slider For Dynamic Arm <i>(Slider - Maximum Weight: 10.2kg (22.5 lbs.))</i>	€151
	M21SLDR-T-x-y	M2.1 slider Conversion Kit. Converts End Style To Slider For Fixed Arm <i>(Slider - Maximum Weight: 10.2kg (22.5 lbs.))</i>	€151
	M21TILTS-x	M2.1 Tilt Conversion Kit. Converts End Style To Tilt Mechanism For Dynamic Arm	€36
	M21TILFT-x	M2.1 Tilt Conversion Kit. Converts End Style To Tilt Mechanism For Fixed Arm	€36
	M81SLDR-S-x-y	M8.1 slider Conversion Kit. Converts End Style To Slider For Dynamic Arm <i>(Slider - Maximum Weight: 10.2kg (22.5 lbs.))</i>	€151
	M81SLDR-T-x-y	M8.1 slider Conversion Kit. Converts End Style To Slider For Fixed Arm <i>(Slider - Maximum Weight: 10.2kg (22.5 lbs.))</i>	€151
	M81CB-S-x-y	M8.1 Crossbar Conversion Kit. Converts End Style To Dual Crossbar For Dynamic Arm	€190
	M81CB-T-x-y	M8.1 Crossbar Conversion Kit. Converts End Style To Dual Crossbar For Fixed Arm	€190
	M81TILTS-x	M8.1 Tilt Conversion Kit. Converts End Style To Tilt Mechanism For Dynamic Arm	€51
	M81TILFT-x	M8.1 Tilt Conversion Kit. Converts End Style To Tilt Mechanism For Fixed Arm	€51
	M10CB-S-x-y	M10 Crossbar Conversion Kit. Converts End Style To Triple Crossbar For Dynamic Arm	€391
	M10CB-T-x-y	M10 Crossbar Conversion Kit. Converts End Style To Triple Crossbar For Fixed Arm	€391
	M10TILTS-x	M10 Tilt Conversion Kit. Converts End Style To Tilt Mechanism For Dynamic Arm	€51
	M10TILFT-x	M10 Tilt Conversion Kit. Converts End Style To Tilt Mechanism For Fixed Arm	€51
	HANDLES	SMHA-x	Single Monitor Handle For M2.1, M8.1 or M10. Includes Accessories Bracket
M81CBH-x		M8.1 Horizontal Crossbar Handle (Fits Dual & Triple)	€86
M10CBH-x		M10 Horizontal Crossbar Handle (Fits Dual & Triple)	€86
VESAS PLATES	VESA1-11-x	100 x 100mm VESA Plate for M2.1, M8.1 and M10	€25
	VESA1-12-x	100 x 200mm VESA Plate for M2.1, M8.1 and M10*	€29
	VESA1-22-x	200 x 200mm VESA Plate for M2.1, M8.1 and M10**	€44
	VESA1-D-x	Dell Quick Release VESA Plate for M2.1, M8.1 and M10*	€25
	VESA1-OVP-x	Offset VESA Plate for M2.1, M8.1 and M10*	€36
	VESA1-A-x	Adapter VESA Bracket for M2.1, M8.1 and M10. Converts Mx.1 Tilt To M2 or M8 Tilt.**	€36
THIN CLIENT HOLDERS	VESA1-MTC-x	Medium Thin Client Holder for M2.1, M8.1 and M10**	€110
	VESA1-LTC-x	Large Thin Client Holder for M2.1, M8.1 and M10**	€117
NOTEBOOK HOLDERS	NH1-x	Notebook Holder for M2.1, M8.1 and M10	€191
ACCESSORY HOLDER *Black & Silver Only	SMAHHA-x	Accessory Holder + Handle + Universal Accessory Bracket	€190
	SMAH-x	Accessory Holder + Universal Accessory Bracket	€92
	SMAHK-x	Accessory Holder Kit to retrofit setup containing the Universal Accessory Bracket & Handle	€66
ZERO DEGREE STOP RING	M81ZDR	M8.1/M10 Zero Degree Stop Ring - Insert ring into arm joint to fix arm at specific angle	€10
	M21ZDR	M2.1 Zero Degree Stop Ring - Insert ring into arm joint to fix arm at specific angle	€10

Note: x denotes component colour and y denotes arm colour

M/Connect 2 Stand Alones and Retrofits

COMPONENT	CODE		LIST PRICE
	A	M/Connect 2 - 100W	€759
MOUNT	C	Clamp	–
	B	Bolt-Thru	–
	2	12mm Sliding Desk Clamp	–
	8	18mm Sliding Desk Clamp	–
	5	25mm Sliding Desk Clamp	–
	0	30mm Sliding Desk Clamp	–
	N	No Mount	–
ARM STYLE <i>** Not available with the bolt mount</i>	2-	M2	€30
	8-	M8	€30
	MF	M/Flex	€30
	21	M2.1**	€30
	81	M8.1**	€30
	2D	M2.1 Dual Desk Mount	€30
	N-	Stand Alone <i>(Not Available with "B – Bolt-Thru" Mount)</i>	–
COLOUR	W	Polished Aluminium with White Trim	–
	B	Black with Black Trim	–
POWER CORD PLUG STYLE	--	None <i>(Choose if not using M/Connect)</i>	–
	NA	North America	–
	EU	Europe	–
	UK	United Kingdom	–
	AU	Australia	–
	SP	Singapore	–
	CH	China	–
	HK	Hong Kong	–
	ID	Indonesia	–
	NZ	New Zealand	–
	MX	Mexico	–
	JP	Japan	–
	SK	South Korea	–
	IL	Israel	–

M/Connect Monitor Cables

CODE	DESCRIPTION (Dock to Monitor)	LIST PRICE
CA-DPHD	Replacement Cable, DisplayPort to HDMI ^	€25
CA-HDDV	Replacement Cable, HDMI to DVI	€12
CA-DPDV	Replacement Cable, DisplayPort to DVI	€29
CA-HDVG	Replacement Cable, HDMI to VGA	€38
CA-DPVG	Replacement Cable, DisplayPort to VGA	€46

NOTE: First listed cable is the M/Connect dock end, second listed cable is monitor end. CA-DPHD cannot be used with HDMI plugged into M/Connect dock.

^ Max resolution is 2560 x 1400

M/Connect 3 Stand Alones and Retrofits

COMPONENT	CODE		LIST PRICE
PRODUCT	T	Technology M2/M3 Configurator	-
STYLE	M3	M/Connect3	-
VERSION	1	M/Power Charging Hub	€250
	2	USB Data Hub	€291
	3	Pro Dock	€744
MOUNT	C	Clamp	€19
	B	Bolt-Thru	€19
	2	12mm Sliding Desk Clamp	€19
	8	18mm Sliding Desk Clamp	€19
	5	25mm Sliding Desk Clamp	€19
	0	30mm Sliding Desk Clamp	€19
	N	No Mount	€19
	R	RetroFit *Already has modular Base Plate	-
ARM STYLE	21	M2	€33
	81	M8/M10	€33
	MF	M/Flex	€33
	N-	Stand Alone	-
	2D	M2.1 Dual Desk Mount	€33
COLOUR	S	Silver	-
	W	White	-
	B	Black	-
COUNTRY	EU	Europe	-



Sit-Stand

Recent research suggests that movement is vital to health. As the pioneer of a healthier, more active workplace, Humanscale has designed innovative sit/stand solutions that encourage users to alternate postures. Ultimately, these products allow users to adopt a healthy and balanced level of activity as they work.

FLOAT Build Your Float Product Code

Step 1: Identify The List Price For Your Float Base

COMPONENT	CODE	DESCRIPTION	LIST PRICE
PRODUCT	_FN	Float Table Base	-
BASE COLOUR	S	Silver	-
	W	White	-
COUNTERBALANCE ADJUSTER	M	Mounted - <i>can only be ordered with size 42, 43, 62, 63</i>	€89
	R	Removable	-
SIZE	42	For 1200-1400mm wide by 600mm deep top <i>will hold up to a 1500mm wide work surface</i>	€1,609
	43	For 1200-1400mm wide by 800mm deep top	€1,609
	62	For 1500-1800mm wide by 600mm deep top	€1,609
	63	For 1500-1800mm wide by 800mm deep top	€1,609
PADDLE LOCATIO	R	Right	-



Sample Order Float Base Code: **_FNWM63R**

Sample Order Float Base List Price: **€1,698**

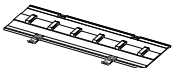
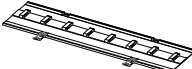




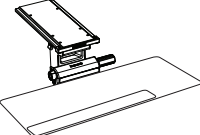
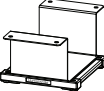
Step 2: Build Your Float Worksurface

COMPONENT	CODE	DESCRIPTION	LIST PRICE
PRODUCT	XX	No Top	-
	FTF	Float Top, Rectangular	-
DEPTH	60	600mm deep	-
	80	800mm deep	€45
WIDTH	12	1200mm wide top (available in 600mm depth only)	€292
	14	1400mm wide top	€328
	16	1600mm wide top	€338
	18	1800mm wide top	€357
SURFACE COLOUR	WH	White Laminate	-

Sample Order Float Work Surface Code: **FTF8014WH**

Sample Order Float Work Surface List Price: **€373**

Step 3: Select Your Float Accessories

PRODUCT IMAGE	CODE	DESCRIPTION	LIST PRICE
Cable Management NeatTech Small should be used with the small Float base NeatTech Large should be used with the large Float base			
	NT1SGG	NeatTech Small Grey Basket / Grey Trim	€156
	NT1LGG	NeatTech Large Grey Basket / Grey Trim	€171
	NL1S17B	NeatLinks Small Black	€25
	NL1S17G	NeatLinks Small Grey	€25
	NL1SL21W	NeatLinks Slim White	€28
	NL1SL21G	NeatLinks Slim Grey	€28
Keyboard System			
	6FB259S12	Float Keyboard System Black	€323
	6FW259S12	Float Keyboard System White	€323
CPU Holder Bracket See page 73 to build your Float CPU System			
			

EFLOAT GO 2.0

Humanscale's latest height-adjustable table, the eFloat Go, is the easiest to use, most cost-effective solution for any sit-to-stand application. It assembles in under 5 minutes and features innovations such as anti-collision technology and quiet motors. With a wide range of sizes, the eFloat Go is as versatile as it is functional.



EFLOAT GO 2.0

eFloat Go 2.0 2-Leg for Rectangular Top* (1220mm (48") w to 1830mm (72") w)

COMPONENT	CODE	DESCRIPTION	LIST PRICE
Line	FYH	eFloat Go 2.0	-
Height Range	12	Standard Height, 700 - 1190 mm (27.6"- 46.9"), 99.7kg (220 lbs.)	€676
Foot Style	T	T Foot with Glides	-
Colour	B	Black	-
	S	Silver	-
	W	White	-
Power Cord Plug Style	EU	Europe	-
	UK	United Kingdom	-
	AU	Australia	-
	SP	Singapore	-
	HK	Hong Kong	-
	ID	Indonesia	-
	IN	India	-
	NZ	New Zealand	-
	JP	Japan	-
	SK	South Korea	-
	TH	Thailand	-
	VN	Vietnam	-
	PH	Philippines	-
	MY	Malaysia	-

eFloat Go 2.0 Worksurface

COMPONENT	CODE	DESCRIPTION	LIST PRICE
Line	FTG	eFloat Go 2.0 Worksurface, Rectangular	-
Depth	60	584mm deep	-
	80	737mm deep	€26
Width	12	1168mm wide	€411
	16	1473mm wide	€463
Surface Colour	WH	White Laminate	-
	BL	Black Laminate	-

FLOAT MINI

The Float Mini table combines classic residential aesthetics with Humanscale's world-class ergonomic design system to create a simple and compact solution for both home and work environments. The Float Mini accommodates each users work style in their own space by encouraging natural movement in users with a work surface that glides to a range of heights as well as the option for caster wheels.



COMPONENT	CODE	LIST PRICE
FLOAT MINI	FM1627BM	€884

COMPONENT	CODE	DESCRIPTION	LIST PRICE
Accessories	FMCK	Float Mini Caster Kit	€60



QUICKSTAND ECO 2.0



Humanscale's QuickStand Eco is the next generation in portable sit/stand products. Sleeker, easier to use and comprised of more sustainable materials than ever before, it is a vast improvement over the current generation of sit/stand options. This work surface is available in laptop, single or dual monitor configurations. QuickStand Eco features simple setup, portability and near effortless adjustability — transforming ordinary desktops into healthy, active workspaces.

QuickStand Eco 2.0 Product Configurations

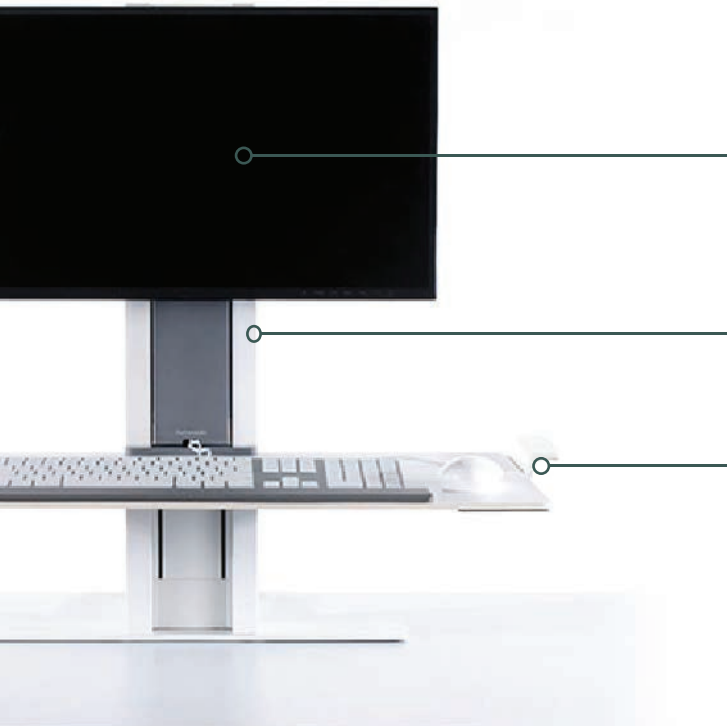
	
QSE2SMW €674 QuickStand Eco 2.0, Single Monitor, White	QSE2DMW €773 QuickStand Eco 2.0, Dual Monitor, White

	
QSE2SMB €674 QuickStand Eco 2.0, Single Monitor, Black	QSE2DMB €773 QuickStand Eco 2.0, Dual Monitor, Black

Accessories

CODE	DESCRIPTION	LIST PRICE
QSEWZCL	QuickStand Eco 1st Generation Conversion kit to laptop model from any monitor model, White	€28
QSEWLCS	QuickStand Eco 1st Generation Conversion kit from laptop model to single monitor model, White	€92
QSEWLCD	QuickStand Eco 1st Generation Conversion kit from laptop model to dual monitor model, White	€187
QSEWSCD	QuickStand Eco 1st Generation Conversion kit from single monitor model to dual monitor model, White	€187
QSEBZCL	QuickStand Eco 1st Generation Conversion kit to laptop model from any monitor model, Black	€28
QSEBLCS	QuickStand Eco 1st Generation Conversion kit from laptop model to single monitor model, Black	€92
QSEBLCD	QuickStand Eco 1st Generation Conversion kit from laptop model to dual monitor model, Black	€187
QSEBSCD	QuickStand Eco 1st Generation Conversion kit from single monitor model to dual monitor model, Black	€187

QUICKSTAND Features & Product Configurations



MONITOR MOUNT

Choose between a single or dual monitor mount

It can accommodate a monitor up to 24"

The single/dual monitor mount has a height adjustment of 127mm (5")

COLOUR

Choose between black with grey trim or white with grey trim to match QuickStand into any working environment

PLATFORM

The height adjustable platform is available in either a small or large platform for varying work surface depths

The size of the small platform is:







710mm wide x 280mm deep, for a 600mm to 700mm deep work surface
(28" wide x 11" deep, for a 24" to 29" deep work surface)

The size of the large platform is:

710mm wide x 430mm deep, for a 800mm to 900mm deep work surface
(28" wide x 17" deep, for a 30" to 36" deep work surface)

The small and large platforms both have a height adjustment of 460mm (18")

QuickStand Product Configurations

		
<p>QSWH24CDN €1,075</p> <p>Quickstand, white, heavy mount assembly with small platform</p>	<p>QSWH30CDN €1,129</p> <p>Quickstand, white, heavy mount assembly with large platform</p>	<p>QSWC30CDD €1,217</p> <p>Quickstand, white, heavy mount assembly with large platform and crossbar</p>
		
<p>QSBH24CDN €1,075</p> <p>Quickstand, black, heavy mount assembly with small platform</p>	<p>QSBH30CDN €1,129</p> <p>Quickstand, black, heavy mount assembly with large platform</p>	<p>QSBC30CDD €1,217</p> <p>Quickstand, black, heavy mount assembly with large platform and crossbar</p>

QUICKSTAND Build Your Product Code

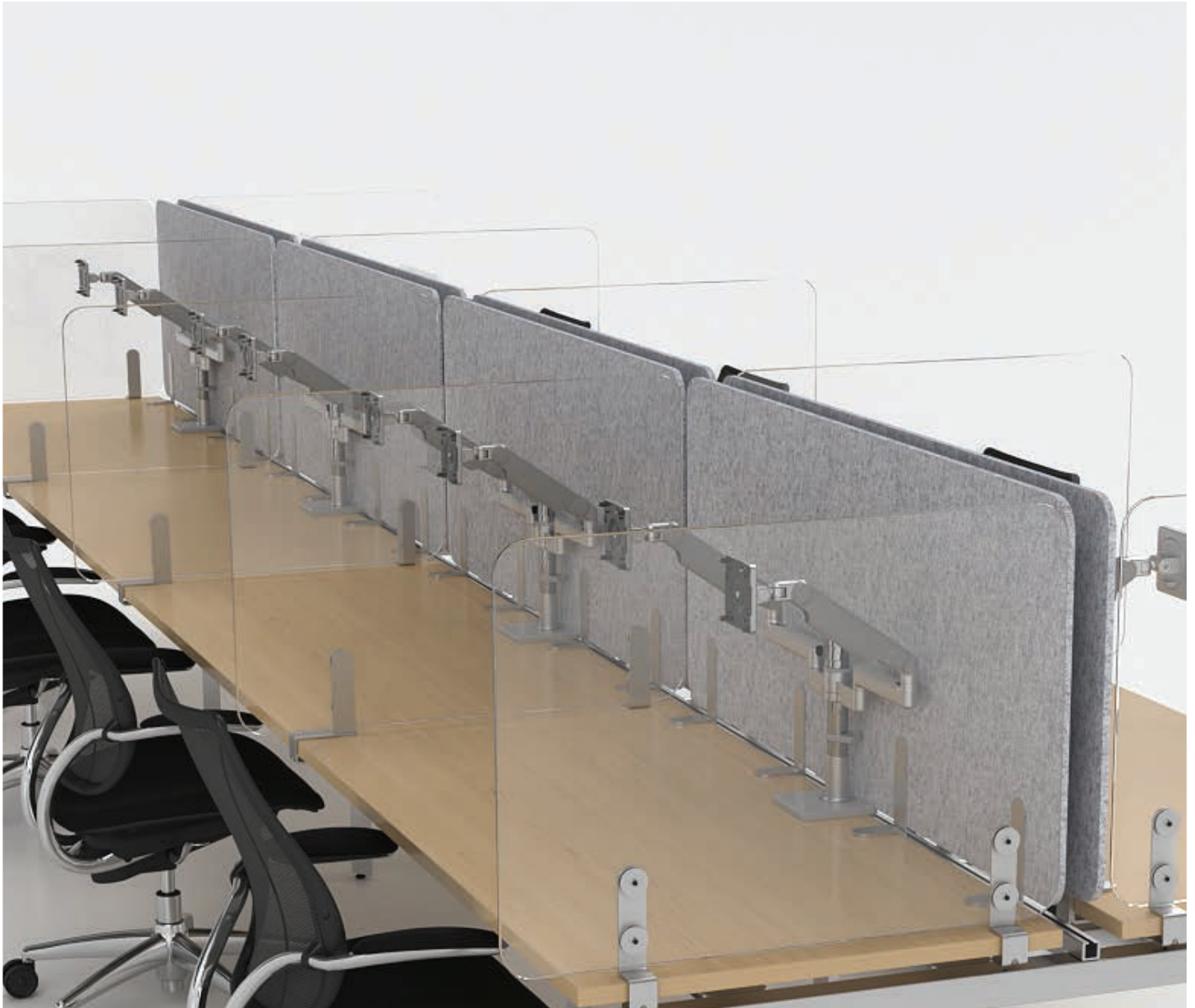
COMPONENT	CODE	DESCRIPTION	LIST PRICE
LINE	QS	QuickStand <i>(weight capacity up to 15.9kg (35lbs.)*)</i>	€825
COLOUR	B	Black	-
	W	White	-
MONITOR MOUNT STYLE	H	Heavy Monitor Mount <i>(Single only up to 13.6kg (30lbs.))</i>	€102
	C	Standard Crossbar Monitor Mount <i>(Dual screen up to 13.6kg (30lbs.) total monitor weight. Screens up to 24" wide)</i>	€149
	W	Wide Crossbar Monitor Mount <i>(Dual screen up to 13.6kg (30lbs.) total monitor weight. Screens up to 27" wide)</i>	€176
WORKSURFACE	24	Small Platform	€87
	30	Large Platform	€141
DESK MOUNT	C	Clamp Mount	-
	G	Grommet/Bolt Mount	-
	D	Dual Mount (CM+GM Mount)	€102
	F	FreeStanding Base	€123
	N	No Mount	-
LEFT SIDE CABLE SET	N	No Cables	-
	V	VGA Set (includes 1-VGA/1-Power/2-USB)	€61
	P	Display Port Set (includes 1-Display Port/1-Power/2-USB)	€61
	H	HDMI Set (includes 1-HDMI/1-Power/2-USB)	€61
	D	DVI-D Set (includes 1-DVI-D/1-Power/2-USB)	€61
RIGHT SIDE CABLE SET	N	No Cables	-
	V	VGA Set (includes 1-VGA/1-Power)	€41
	P	Display Port Set (includes 1-Display Port/1-Power)	€41
	H	HDMI Set (includes 1-HDMI/1-Power)	€41
	D	DVI-D Set (includes 1-DVI-D/1-Power)	€41

*QS Total weight capacity of 15.9kg (35lbs.) is the sum of the weight of the monitors plus the items placed on the work surface. Consult the monitor mount options for monitor weight guidelines.

Accessories

COMPONENT	CODE	DESCRIPTION	LIST PRICE
LINE	QSHD	Heavy Monitor Mount <i>(Single only up to 13.6kg (30lbs.))</i>	€98
	QSXCB	Standard Crossbar Monitor Mount <i>(Dual screen up to 13.6kg (30lbs.) total monitor weight. Screens up to 24" wide)</i>	€175
	QSXWC	Wide Crossbar Monitor Mount <i>(Dual screen up to 13.6kg (30lbs.) total monitor weight. Screens up to 27" wide)</i>	€194
DESK MOUNT	QSCM	Clamp Mount	€98
	QSGM	Grommet/Bolt Mount	€98
	QSDM	Dual Mount (CM+GM Mount)	€194
	QSXFS	FreeStanding Base	€220
PLATFORM SIZE	QSX24	Small platform	€147
	QSX30	Large platform	€171
LEFT SIDE CABLE SET	QSVG1	VGA Set (includes 1-VGA/1-Power/2-USB)	€72
	QSDP1	Display Port Set (includes 1-Display Port/1-Power/2-USB)	€72
	QSDM1	HDMI Set (includes 1-HDMI/1-Power/2-USB)	€72
	QSDV1	DVI-D Set (includes 1-DVI-D/1-Power/2-USB)	€72
RIGHT SIDE CABLE SET	QSVG2	VGA Set (includes 1-VGA/1-Power)	€59
	QSDP2	Display Port Set (includes 1-Display Port/1-Power)	€59
	QSDM2	HDMI Set (includes 1-HDMI/1-Power)	€59
	QSDV2	DVI-D Set (includes 1-DVI-D/1-Power)	€59
CABLE MANAGEMENT	QSCMK	Cable Management Kit	€14

*The X designator in the code is a placeholder for a colour option. Replace X with B=Black and W=White



Separation Panels

Studies show that constant peripheral interruptions in the workplace can have a negative effect on employee well-being and productivity. Humanscale's WellGuard Separation Panels offer the perfect balance of visual and acoustical privacy in collaborative open-office desking applications. Designed to accommodate a wide variety of environments, Humanscale's WellGuard Separation Panels are customisable, easy to install or uninstall when no longer required, and are highly durable over the course of time.

WellGuard Separation Panels Pricing

COMPONENT	CODE	DESCRIPTION	LIST PRICE
PRODUCT FAMILY	WG	Wellguard Separation Panel	–
PLACEMENT	S	Side	–
	E	Extended Side (100mm Overhang)	€53
	R	Rear (no modesty)	–
HEIGHTS	60	600mm (rear and side)	€105
	75	750mm (rear and side)	€157
WIDTHS	12	1200mm (3 mounts)	€271
	14	1400mm (rear only)	€282
	16	1600mm (rear only)	€282
	80	800mm (side only)	€267
MOUNTING OPTION COLOURS	S	Silver	–
MOUNTING OPTIONS	N	No Mount	–
	O	Offset Clamp (rear and side)	€21
	T	Top Clamp (rear and side, not compatible with modesty)	€21
	E	Front Clamp (side only)	€21
	F	Freestanding (side only)	€21
MATERIALS	N	No Panel	–
	F	Felted PET	–
	P	PETG	€53
MATERIAL COLOUR OPTIONS	DG	Dark Grey (Felted PET only)	–
	LG	Light Grey (Felted PET only)	–
PETG OPTIONS	CL	Clear PETG	–

SPECIFICATION NOTES:

- For individual part orders such as panels and mounts, please utilise the N/NP codes. For example, the following format: WGNNPNPS(X)NNP
- 800mm wide screens utilise two brackets, 1200mm/1400mm wide screens utilise three brackets, and 1600mm wide screens utilise four brackets
- For freestanding and front clamp, maximum size is 760mm x 760mm
- All clamp mounts will accommodate desk thicknesses 19mm - 36mm
- All dimensions are actual measurements
- PETG panels are 6mm Thick
- Felted PET panels are 12mm Thick

Panel Mount Pricing

COMPONENT	CODE	DESCRIPTION	LIST PRICE
PRODUCT FAMILY	WG	Wellguard Separation Panel	-
PLACEMENT	P	Panel Mount	-
HEIGHTS	3	300mm	€21
	6	600mm	€43
WIDTHS	12	1200mm	€282
	14	1400mm	€282
	16	1600mm	€314
MOUNTING OPTION COLOURS	S	Silver	-
MOUNTING OPTIONS	N	No Mount	-
	1	12mm - 25mm	€21
MATERIALS	N	No Panel	-
	F	Felted PET	-
	P	PETG	€53
MATERIAL COLOUR OPTIONS	NP	No Panel	-
	DG	Dark Grey (Felted PET only)	-
	LG	Light Grey (Felted PET only)	-
PETG OPTIONS	CL	Clear PETG	-

SPECIFICATION NOTES:

- For individual part orders such as panels and mounts, please utilise the N/NP codes. For example, the following format: WGNNPNPS(X)NNP
- 1200mm/1400mm wide screens utilise three brackets and 1600mm wide screens utilise four brackets
- All dimensions are actual measurements
- PETG panels are 6mm Thick
- Felted PET panels are 12mm Thick



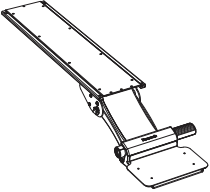
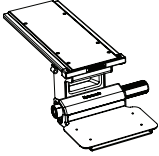
Ergo Tools

A key component of an ergonomic workstation, a well-designed articulating keyboard system works in conjunction with a monitor arm and task chair to promote healthy, comfortable posture. Humanscale keyboard supports literally bring the work to you, allowing you to sit back in your chair while providing serious protection from carpal tunnel syndrome, neck and back pain, and other musculoskeletal issues.

Build Your Keyboard System Product Code



STEP 1: MECHANISM OPTIONS

	<p>6G (Black), 6GW (White) €238</p> <p>Humanscale's most advanced keyboard mechanism to date, the 6G provides intuitive ergonomic adjustability and unmatched styling.</p> <p>178mm (7") height adjustment 45mm (1.75") above track to 133mm (5.25") below track Comes standard with 550mm (21.625") track</p>
	<p>6FB (Black), 6FW (White) €164</p> <p>Designed exclusively for the Float, the 6F incorporates simple dial-a-tilt adjustability and modern styling ideal for all height-adjustable tables.</p> <p>No height adjustment Only for use with height-adjustable tables</p>

Build Your Keyboard System Product Code (cont.)



STEP 2: KEYBOARD PLATFORM OPTIONS	CODE	Description	List Price
<p style="text-align: center;">19" 10.625"</p>	900	Standard Available in White with 6GW. Available in Platinum with 5GV.	€95
<p style="text-align: center;">27" 10.625"</p>	500	Big Comes with built-in mousing surface. Not available with other mouse platform options. Available in White with 6GW. Available in Platinum with 5GV.	€145
<p style="text-align: center;">635mm (25") 270mm (10.625")</p>	550	Big Compact Comes with built-in mousing surface. Not available with other mouse platform options. Available in White with 6GW. Available in Platinum with 5GV.	€145
<p style="text-align: center;">25" 9"</p>	259	Float Board Comes with built-in mousing surface. Not available with other mouse platform options.	€119
<p style="text-align: center;">700mm (27.5") 290mm (11.5")</p>	400	Diagonal Big Comes with built-in mousing surface. Not available with other mouse platform options.	€145
<p style="text-align: center;">335mm (13.25") 265mm (10.48") 520mm (20.5")</p>	100	Combo	€95

Build Your Keyboard System Product Code (cont.)



STEP 3: MOUSE PLATFORM OPTIONS

	CODE	DESCRIPTION	PRICE
	90	215mm (8.5") Clip	€69
	90H	215mm (8.5") High Clip	€69
	<i>Available in White with 6GW. Available in Platinum with 5GV.</i>		
	91	255mm (10") Clip	€86
	91H	255mm (10") High Clip	€86
<i>Available in White with 6GW. Available in Platinum with 5GV.</i>			

STEP 4: PALM SUPPORT OPTIONS

CODE	DESCRIPTION	COLOUR	PRICE
F	485mm (19") Foam with synthetic leather cover	B/G	€21
G	485mm (19") Gel with synthetic leather cover	B/G	€40
S	485mm (19") Slim palm support	B/G	€40
F20	510mm (20") Foam with synthetic leather cover	B	€21
G20	510mm (20") Gel with synthetic leather cover	B/G	€38
G27	685mm (27") Gel with synthetic leather cover	B	€43
GMP	510mm (20") and 180mm (7") Gel with synthetic leather cover	B	€46
SMP27	485mm (19") and 180mm (7") Slim palm support	B/G	€46
SMP25	485mm (19") and 125mm (5") Slim palm support	B/G	€44
MP7F	180mm (7") Foam with synthetic leather cover	B	€13
MP7G	180mm (7") Gel with synthetic leather cover	B/G	€16
SMP7	180mm (7") Slim palm support	B/G	€16
SMP5	125mm (5") Slim palm support	B/G	€14

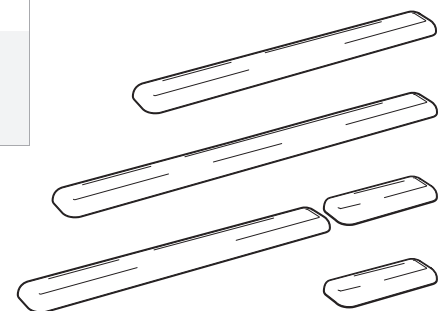
For 400 and 500 boards only

For 550 boards only

All Build-Your-Own palm supports are available in Black only, unless otherwise noted.

B = Black

G = Grey



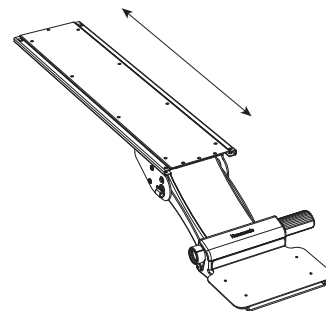
Build Your Keyboard System Product Code (cont.)



STEP 5: TRACK OPTIONS

CODE	DESCRIPTION	PRICE
27	685mm (27") Track	N/C
25	635mm (25") Track	N/C
22	Standard 550mm (21.625") Track	N/C
18	455mm (18") Track	N/C
16	405mm (16") Track	N/C
14	355mm (14") Track	N/C
12	320mm (12.5") Track for 259 board only	N/C
11	280mm (11") Track	N/C
Replacement Tracks with Hardware Pack (if ordering without mechanism)		
RT27.	685mm (27") Track	€54
RT25.	635mm (25") Track	€48
RT22.	Standard 550mm (21.625") Track	€43
RT18.	455mm (18") Track	€43
RT16.	405mm (16") Track	€43
RT14.	355mm (14") Track	€43
RT12.	320mm (12.5") Track	€43
RT11.	280mm (11") Track	€43

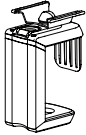
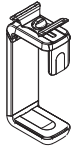

All keyboard systems ship with track lengths noted on page 69 unless a different track length is specified. Please use these codes to order a specific track for your system.




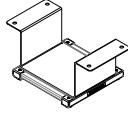
Build Your CPU Product Code

Sample Product Code - CPU20011QT

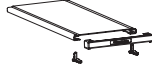
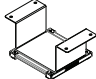
CPU HOLDERS

	CPU200 (Black) €190
	CPU200W (White) €190
	Fits CPUs 25mm (1") to 127mm (5") wide by 305mm (12") high
	Max CPU Weight: 6.8kg (15 lbs.)
	Installed Dimensions: 170mm (6.7") Width, CPU Height + 97mm (3.8")
	CPU600 (Black) €196
	CPU600W (White) €196
	Fits CPUs 90mm (3.5") to 230mm (9") wide by 305mm (12") to 510mm (20") high
	Max CPU Weight: 22.7kgs (50 lbs.)
	Installed Dimensions: 180mm (7") or CPU Width + 43mm (1.7"), whichever is greater, CPU Height + 90mm (3.6")
	TCH - CROSSBEAM €172
	TCH - UNDERDESK €144
	Thin Client Holder accommodates 25 - 50 mm (1" - 2") thickness.
	Height: 58 - 84 mm (2.3" - 3.3") Width: 140mm (5.5") Depth: 122mm (4.8") Weight Capacity: 2.27kg (5 lbs.)

CPU MOUNTS

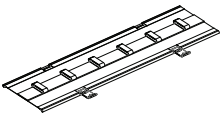
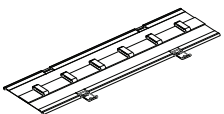
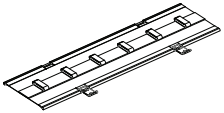
	11QT 280mm (11") Track N/C
	16QT 405mm (16") Track N/C
	22QT 560mm (22") Track N/C
	FCBS (Silver) Float CPU Bracket N/C
	FCBW (White) Float CPU Bracket N/C
	FCBB (Black) Float CPU Bracket N/C



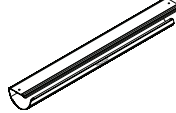

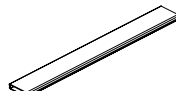
CPU REPLACEMENT PARTS

REPLACEMENT TRACKS WITH HARDWARE			
	11RT 280mm (11") Track €76		
	16RT 405mm (16") Track €76		
	22RT 560mm (22") Track €76		
REPLACEMENT BRACKET WITH HARDWARE			
	FCBS Float CPU Bracket (Silver) €64		
	FCBW Float CPU Bracket (White) €64		
	FCBB Float CPU Bracket (Black) €64		

Ergonomic Accessories


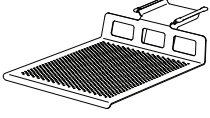


CABLE MANAGEMENT

NEATTECH — MINI		€145
	NT1MGG (Pinstripe Graphite Basket / Grey trim)	
	NT1MBB (Catena Black Basket / Black Trim)	
	NT1MPG (Catena Poppy Seed Basket / Grey Trim)	
610mm (24") L x 115mm (4.5") D x 100mm (4") W		
NEATTECH — SMALL		€156
	NT1SGG (Pinstripe Graphite Basket / Grey trim)	
	NT1SBB (Catena Black Basket / Black Trim)	
	NT1SPG (Catena Poppy Seed Basket / Grey Trim)	
965mm (38") L x 115mm (4.5") D x 100mm (4") W		
NEATTECH — LARGE		€171
	NT1LGG (Pinstripe Graphite Basket / Grey trim)	
	NT1LBB (Catena Black Basket / Black Trim)	
	NT1LPG (Catena Poppy Seed Basket / Grey Trim)	
1220mm (48") L x 115mm (4.5") D x 100mm (4") W		

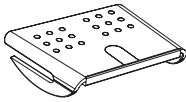
NEATLINKS — SMALL 430mm (17")		€25
	NL1S17B (Black)	
	NL1S17G (Grey)	
Small 66mm (2.6") Diameter, 430mm (17") Length		
NEATLINKS — LARGE 430mm (17")		€27
	NL1L17B (Black)	
	NL1L17G (Grey)	
Large 91mm (3.6") Diameter, 430mm (17") Length		
NEATLINKS — SMALL 610mm (24")		€27
	NL1S24B (Black)	
	NL1S24G (Grey)	
Small 66mm (2.6") Diameter, 610mm (24") Length		
NEATLINKS — LARGE 610mm (24")		€28
	NL1L24B (Black)	
	NL1L24G (Grey)	
Large 91mm (3.6") Diameter, 610mm (24") Length		
NEATLINKS SLIM		€28
	NL1SL21W (White)	
	NL1SL21B (Black)	
	NL1SL21G (Grey)	

Ergonomic Accessories

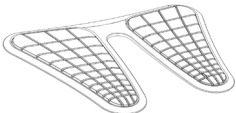
LAPTOP HOLDERS & ACCESSORIES

Notebook Manager		
	<p>L6 €190</p> <p>Maximum Dimensions: 345 x 275 x 255 mm (13.5" x 10.9" x 10.1") WxDxH</p> <p>185mm (7.3") height adjustability</p> <p>Accommodates notebook computers at least 255mm(10") wide and 150mm (6") deep, and up to 38mm (1.5" thick)</p>	
Tech Tray		
	<p>TT €113</p> <p>305 x 355 mm (12" x 14") WxD</p> <p>Comes standard with 560mm (22") track. Sits 90mm (3.5") below track.</p>	
Pro Click Mouse		
	<p>PROCLICK-EU €162</p> <p>Highly functional, the tilt-click scroll wheel and each secondary button are easily accessible. Wireless.</p>	
NeatCharge		
	<p>NC2EUGSE €228</p> <p>Wirelessly charges Qi and MagSafe Compatible devices up to 10W. 130.6 x 14.73 mm (5.14" x 0.58") WxH Weight: 225g (7.94 oz)</p>	

FOOT ROCKERS

Rocking Foot Rocker		
	<p>FR500C (Cherry) €166</p> <p>FR500K (Black) €166</p> <p>310 x 425 x 15 mm (12.25" x 16.75" x 4.5") DxWxH</p>	

FLOOR MAT

Monarch Floor Mat		
	<p>MONARCH-G (Grey) €301</p> <p>508 x 737 x 203 mm (20" x 29" x 0.8") HxWxD</p>	